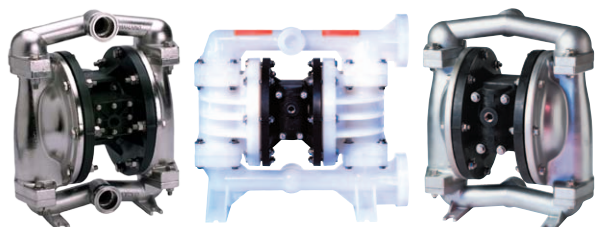


1" (25mm) HEAVY DUTY BOLTED STYLE PUMP



1" (25mm) HEAVY DUTY BOLTED STYLE PUMP

Engineered for maximum fluid and chemical compatibility. Heavy duty, non-metallic air section ensures stall free and freeze free operation. Bolted design provides ease of maintenance and leak free operation. Available in a variety of materials and options.

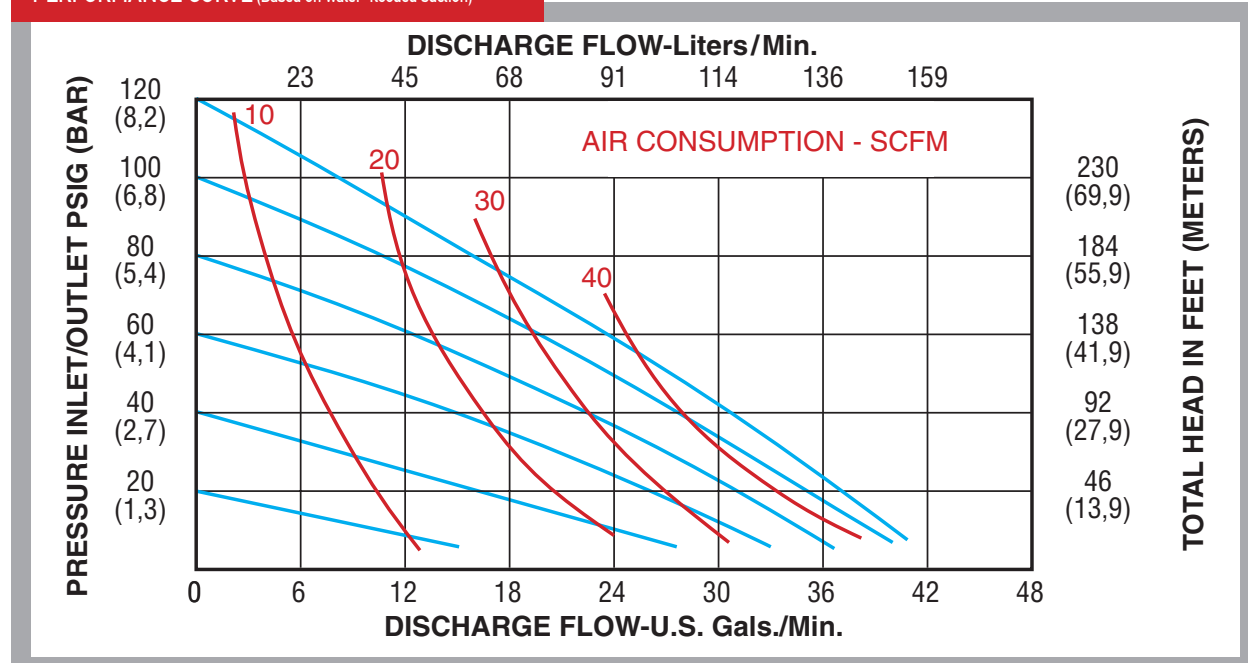
- Suitable for Clean Fluids, Slurries or up to 1/4" Solids
- All-Pur FDA Elastomers and Electropassivated Stainless Available
- Heavy Duty Air Valve
- Available in Metallic or Non-Metallic Wetted Components
- Muffler Included

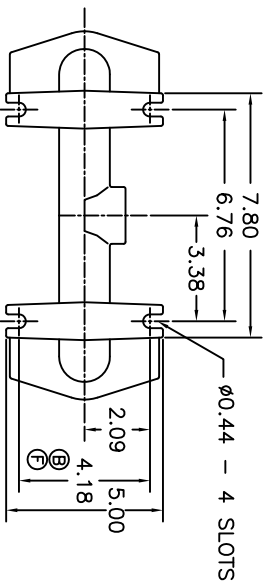
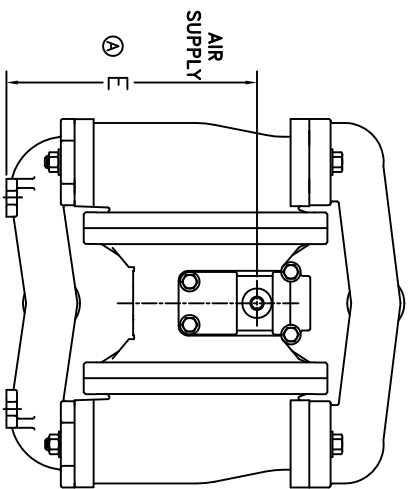
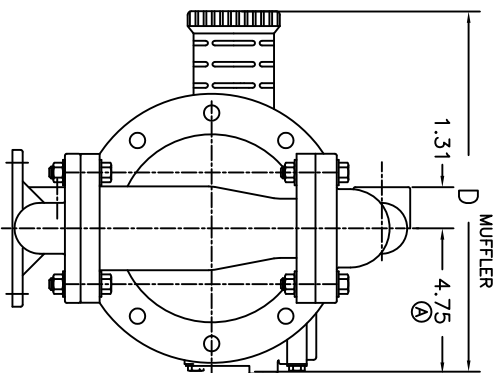
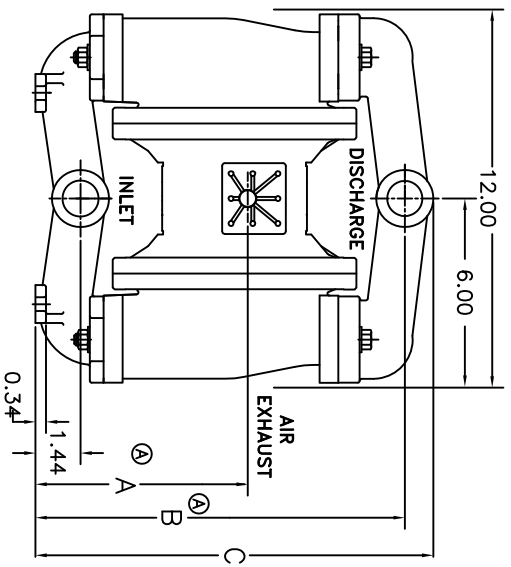
SPECIFICATIONS

Dimension	
Physical Dimensions	See Drawing Page 75/76
Air Inlet	1/4"
Liquid Inlet	1" (25 mm)
Liquid Outlet	1" (25 mm)
Weight	See Product Tables
Performance	
Maximum Flow	41 gpm (155.8 lpm)
Maximum Air Pressure	120 psi (8.2 bar)
Maximum Solids	1/4" (6.4 mm)
Max Suction Lift Dry	15 ft (4.5 m)
Max Suction Lift Wet	26 ft (7.9 m)
Max Suction Lift Dry with PTFE	10 ft (3 m)
Max Temperature	See Product Tables
Noise Level (with muffler)	80 dBA
Displacement Per Stroke	0.083 Gallons (0.314 l)



PERFORMANCE CURVE (Based on water-flooded suction)





SERIES	A	B	C	D	E
AL-10	6.87	11.87	2.69	11.56	7.31
ST-10	7.20	13.21	13.96	10.40	7.60

⑤

NOTES:

- DISCHARGE 1 NPT
- SUCTION 1 BSP
- AIR INLET 1/4 NPT
- AIR OULET 3/8 NPT
- 1 BSP
- 1 BSP
- 1/2 BSP
- 3/8 NPT

WEIGHT:
 42# (19.1KG) STAINLESS STEEL
 19# (8.6KG) ALUMINUM

ALL DIMENSIONS HAVE A TOLERANCE OF ±1/8 INCH (±3mm)

DO NOT SCALE DRAWING



DIMENSIONS IN INCHES

REV	DESCRIPTION	ECO	BY	DATE
A	RENSED TO ACTUAL DIMENSIONS		KAO	9/7/01
B	5.12 mm 4.18		BHI	11/01/01
C	ADDED A/S PUMP(BOLTED) DIMENSIONS		KAO	10/20/03
D	REMOVED AL & ST MODELS		KAO	11/1/05
E	13.21 READ 12.82		KAO	02/08
F	4.18 WAS 5.12		KAO	06/08

THE ALL-FLO PUMP COMPANY, INC.
 8271 PINEHURST DRIVE MENTOR, OHIO (440) 294-1700 FAX (440) 294-2468

SCALE HALF
 DATE 01 FEB 98
 TOLERANCES (unless otherwise noted)
 .XX ±.13

DRAWING NUMBER 10012-01
 DRAWN BY ENH
 TITLE ELEVATION DRAWING, 1" METALLIC
 REV F