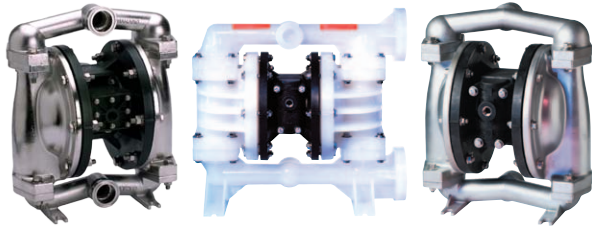


1" (25mm) HEAVY DUTY BOLTED STYLE PUMP



1" (25mm) HEAVY DUTY BOLTED STYLE PUMP

Engineered for maximum fluid and chemical compatibility. Heavy duty, non-metallic air section ensures stall free and freeze free operation. Bolted design provides ease of maintenance and leak free operation. Available in a variety of materials and options.

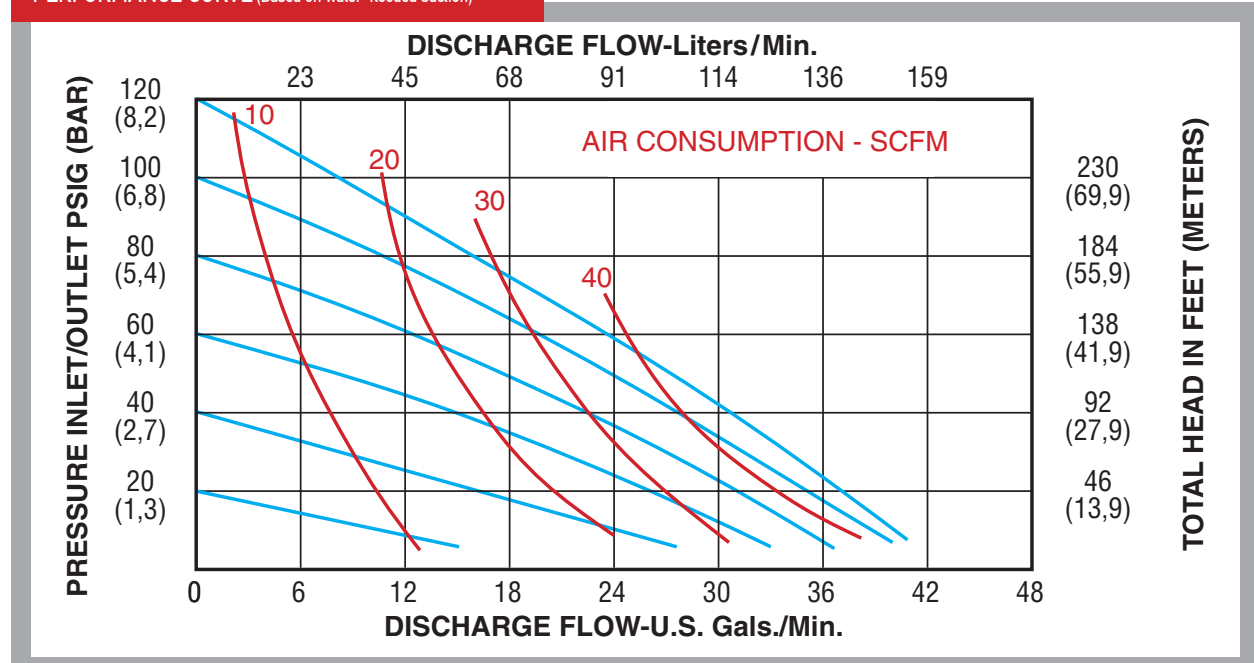
- Suitable for Clean Fluids, Slurries or up to 1/4" Solids
- All-Pur FDA Elastomers and Electropassivated Stainless Available
- Heavy Duty Air Valve
- Available in Metallic or Non-Metallic Wetted Components
- Muffler Included

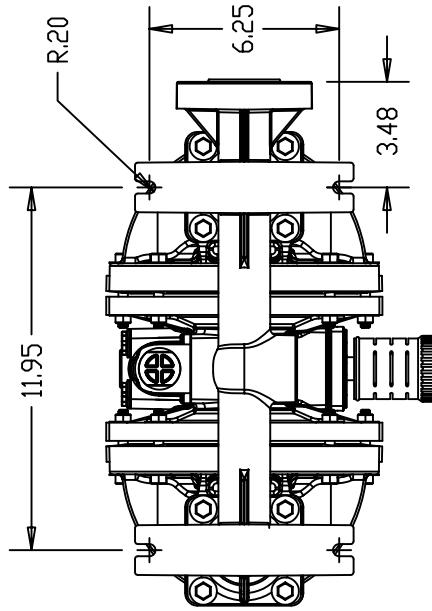
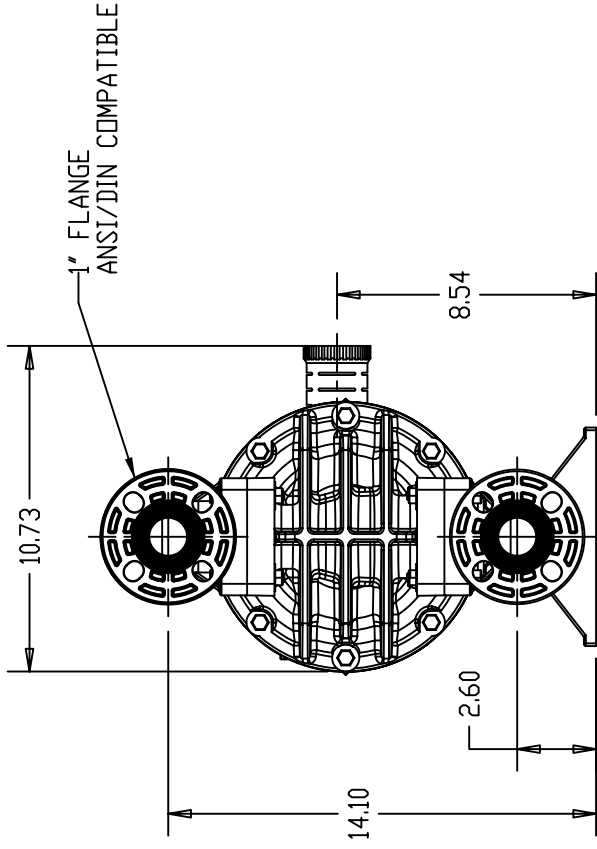
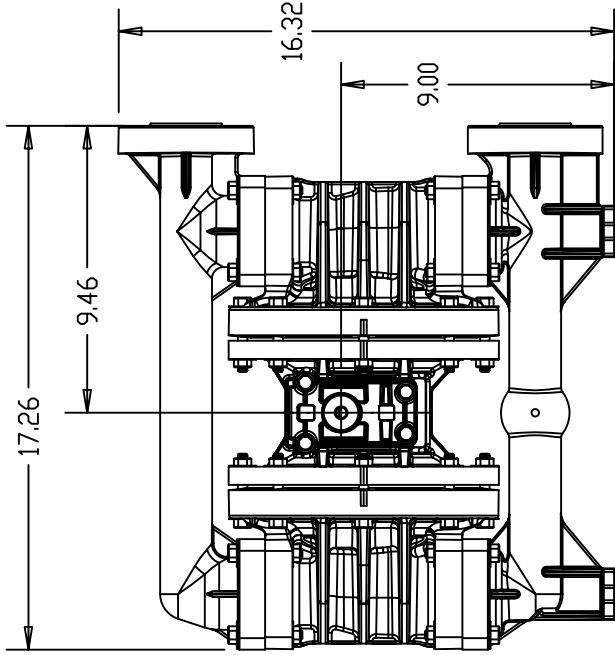
SPECIFICATIONS

Dimension	
Physical Dimensions	See Drawing Page 75/76
Air Inlet	1/4"
Liquid Inlet	1" (25 mm)
Liquid Outlet	1" (25 mm)
Weight	See Product Tables
Performance	
Maximum Flow	41 gpm (155.8 lpm)
Maximum Air Pressure	120 psi (8.2 bar)
Maximum Solids	1/4" (6.4 mm)
Max Suction Lift Dry	15 ft (4.5 m)
Max Suction Lift Wet	26 ft (7.9 m)
Max Suction Lift Dry with PTFE	10 ft (3 m)
Max Temperature	See Product Tables
Noise Level (with muffler)	80 dBA
Displacement Per Stroke	0.083 Gallons (0.314 l)



PERFORMANCE CURVE (Based on water-flooded suction)





ALL DIMENSIONS HAVE A TOLERANCE OF $\pm 1/8"$

DO NOT SCALE DRAWING DIMENSIONS IN INCHES

ALFFLO THE ALL-FLO PUMP COMPANY, INC.
 9321 PINEHURST DRIVE MENDOTA, WI 53181 (414) 354-1700 FAX (414) 354-9466

SCALE
 DRAWN BY KAD
 APPROVED BY

TOLERANCES
 DECIMAL
 .XX ± 0.01
 .XXX ± 0.005
 FRACTIONAL

TITLE
 ELEVATION, 1" BOLTED PLASTIC

ANGULAR
 DATE
 DRAWING NUMBER
 10012-02

REV
 DESCRIPTION
 ECD BY DATE

REV
 DATE