

10 Series® Solids and Corrosive Liquids Pumps

Gorman-Rupp 10 Series® pumps are specifically designed for handling solids and corrosive liquids and slurries. Depending on pump model, they will handle up to 3" (76 mm) diameter spherical solids.

10 Series® pumps have few moving parts, so maintenance is minimal. If a clog occurs, it can be removed easily through the coverplate opening without disturbing piping. No special tools are required.

The 10 Series® offers a variety of seal configurations to choose from to match your specific pumping requirements.

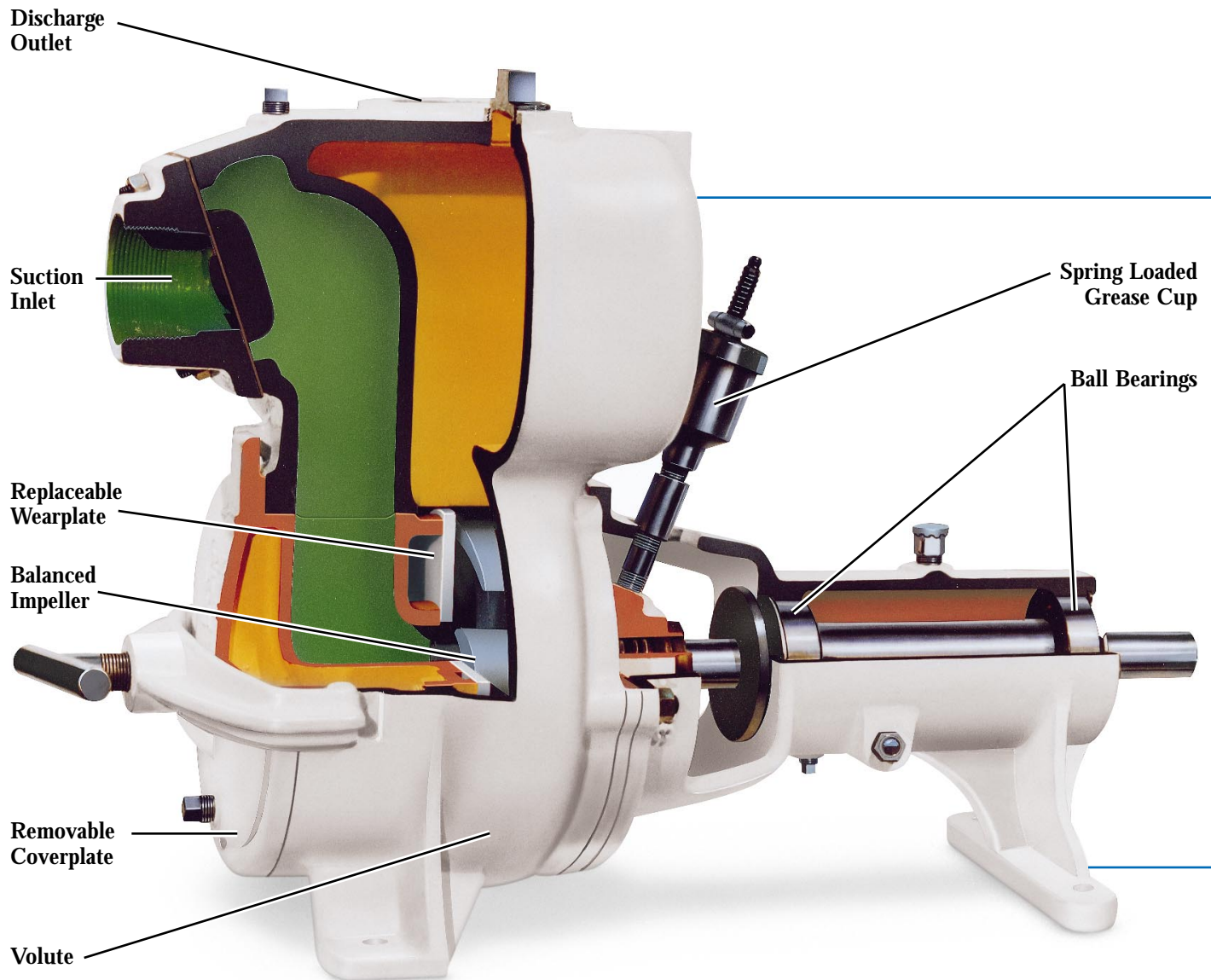
Sizes: 1-1/2", 2", 3", 4", 6" (40 mm, 50 mm, 75 mm, 100 mm, 150 mm)

Materials of Construction: Cast Iron, Bronze, 316 Stainless Steel, CD4MCu, Alloy 20

Max. Capacity: 1500 gpm (95 lps)

Max. Head: 115 ft. (35 m)

Max. Solids: 2-1/2" (64 mm)



10 Series® Features



Solids Handling Impeller
Two-vane, semi-open, solids handling impeller will handle solids up to 3" (76 mm) in diameter, depending on pump model. Pump out vanes on the impeller shroud reduce foreign material buildup behind impeller and reduce pressure on seal and bearings.



A Variety of Seals to Choose From
10 Series® pumps are available with Gorman-Rupp double mechanical grease lubricated seals, packing gland seals, self-lubricated mechanical seals and Gorman-Rupp's exclusive tungsten titanium carbide double floating self-aligning oil lubricated seals. Viton®/Fluoroelastomer and Teflon® elastomers are also available.



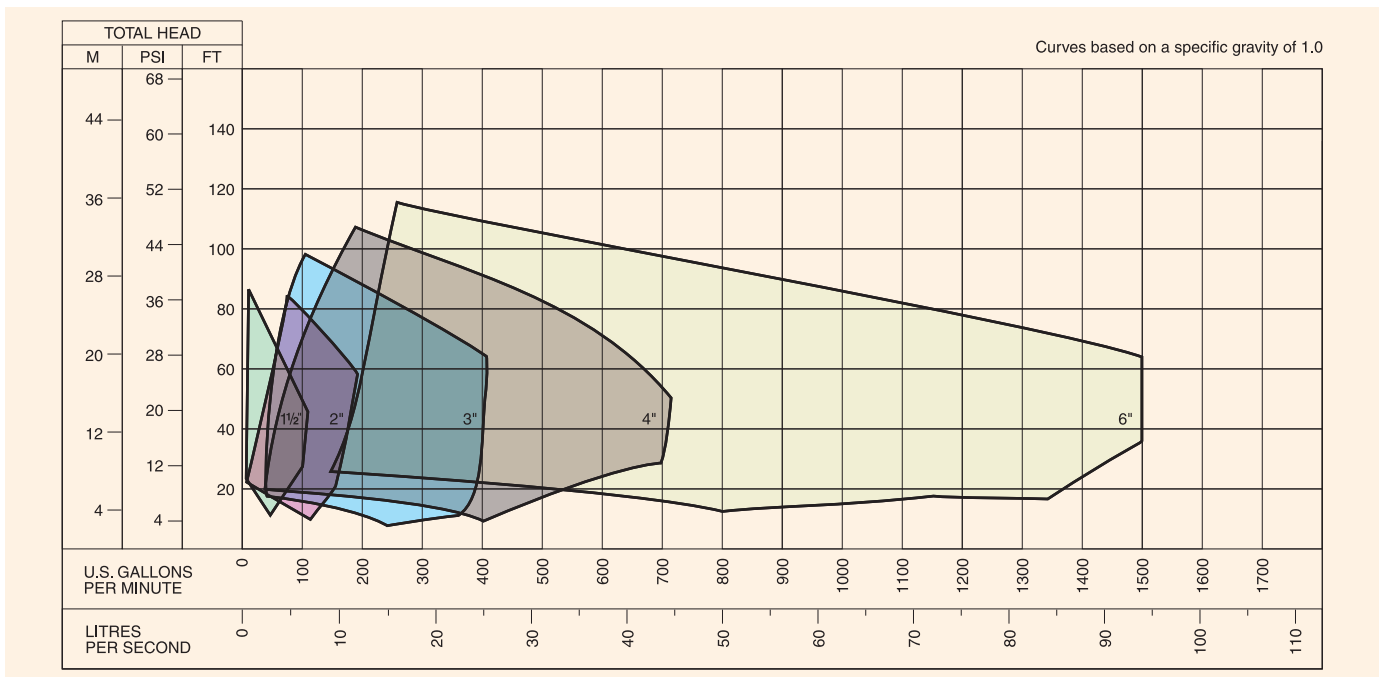
Removable Coverplate
Removable coverplate provides quick and easy access to pump interior without disconnecting piping. Clogs can be removed and pump returned to service in minutes. Impeller, seal and replaceable wearplate can also be easily accessed through coverplate opening for inspection or service.



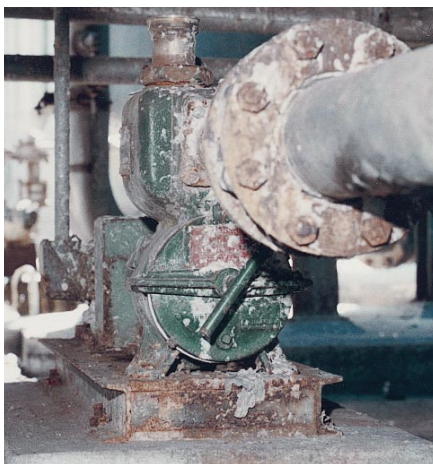
Replaceable Wearplate
10 Series® pumps feature replaceable wearplates which fasten to the coverplate and can be removed for inspection or service. No expensive castings to replace.

Teflon® is a registered mark of E.I. DuPont De Nemours and Company
Viton® is a registered mark of DuPont Dow Elastomers L.L.C.

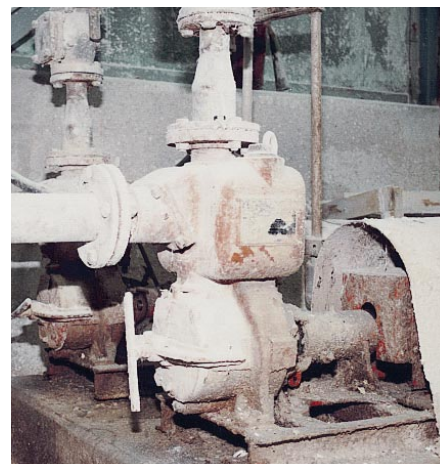
10 Series® Performance



10 Series® pump transferring solids and corrosive liquids to a holding tank at a food processing plant in England.



10 Series® pump handling abrasive fibers and chips in a paper mill in Washington, USA.



10 Series® pumps transferring solids-laden wastewater in a steel mill in Ohio, USA.