



3/8" INTERMITTENT DUTY CLAMP STYLE PUMP

Reliable polypropylene air center section combined with non-metallic clamped casing and elastomer materials ensure maximum chemical compatibility. Our patented "Max-Pass™" valve system allows operation under a variety of conditions, ranging from clean fluids to slurries. Ideal for low volume clean fluids transfer applications.

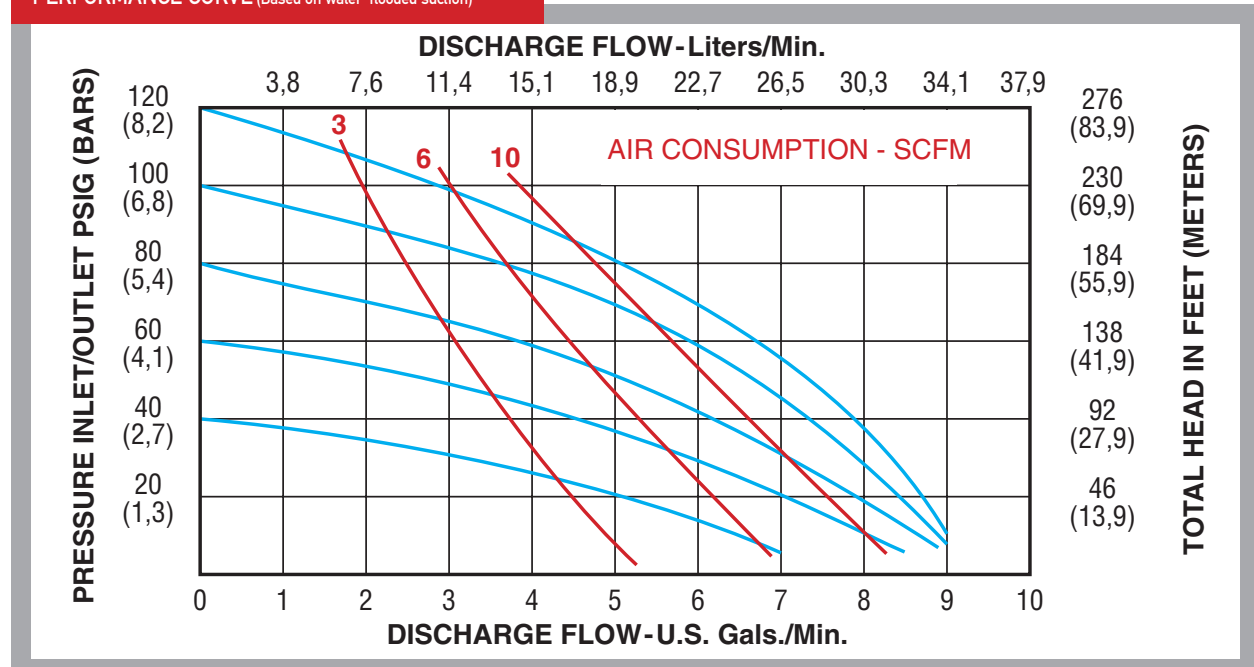
- Suitable for Clean Fluids, Slurries or up to 1/16" Solids
- High Suction Lift
- Muffler Included

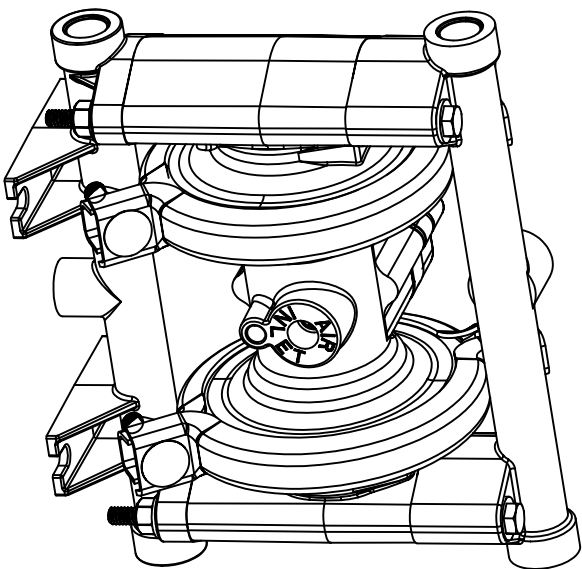
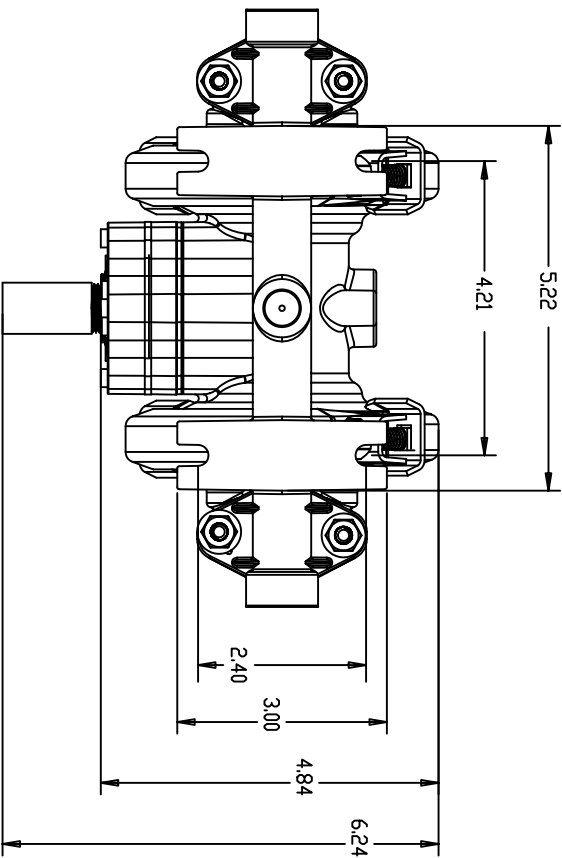
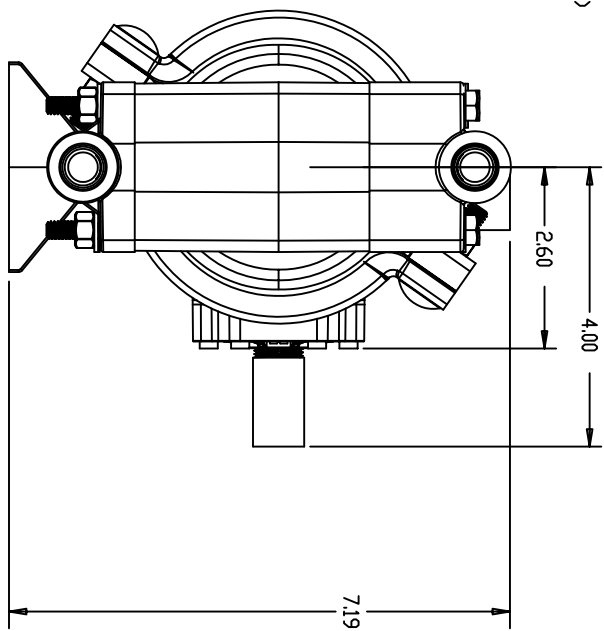
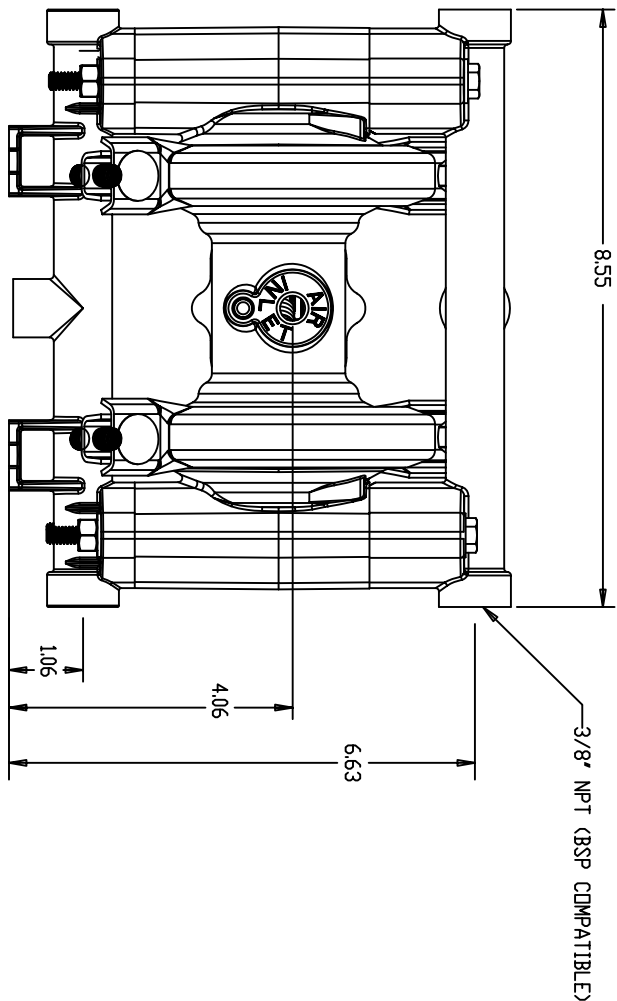
SPECIFICATIONS

Dimension	
Physical Dimensions	See Drawing Page 73
Air Inlet	1/4"
Liquid Inlet	3/8"
Liquid Outlet	3/8"
Weight	See Product Tables
Performance	
Maximum Flow	9 gpm (34.0 lpm)
Maximum Air Pressure	120 psi (8.2 bar)
Maximum Solids	1/16" (1.6 mm)
Max Suction Lift Dry	15 ft (4.5 m)
Max Suction Lift Wet	26 ft (7.9 m)
Max Suction Lift Dry with PTFE	10 ft (3 m)
Max Temperature	See Product Tables
Noise Level (with muffler)	86 dBA
Displacement Per Stroke	0.012 Gallons (0.045 l)



PERFORMANCE CURVE (Based on water-flooded suction)





DO NOT SCALE DRAWING DIMENSIONS IN INCHES

REV		DATE		BY		TITLE	
A	1-1-06	10004-00	1-1-06	KAD	10004-00	1-1-06	3/8" PUMP, ELEVATION
<p>TOLERANCES</p> <p>UNLESS OTHERWISE SPECIFIED:</p> <p>FINISHES: XX ±0.01, XXX ±0.005</p> <p>SCALE: AS SHOWN</p> <p>DRAWN BY: KAD</p> <p>APPROVED BY: KAD</p>							

A