

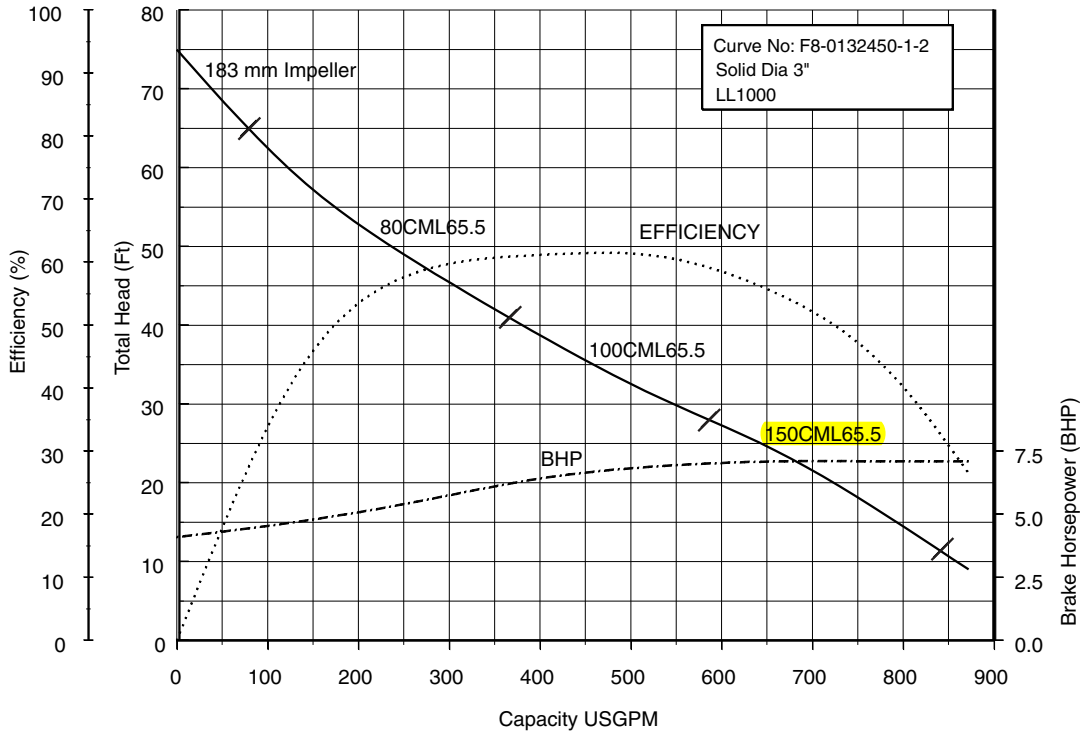
Specifications

Model DMLU
Specifications

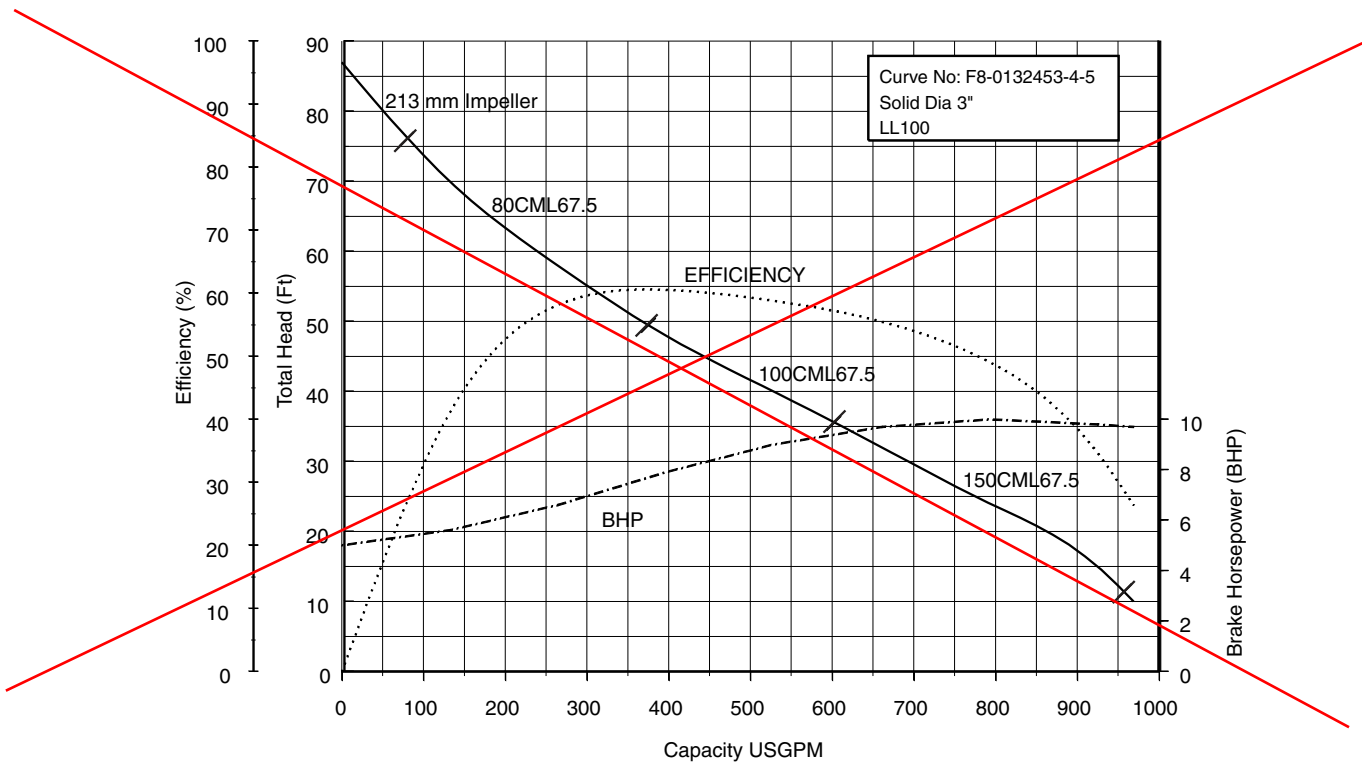
	↓ Standard	Optional
Size	3, 4, 6 inch	
Range of HP	3 to 30HP	
Range of Performance	Capacity: 55 to 1345 GPM Head: 12 to 136 feet	
Limitation Maximum Water Temperature	104°F (40°C)	
Synchronous Speed	1800 RPM	
Materials Casing Impeller Shaft Motor Frame Fastener	Cast Iron Cast Iron 403 Stainless Steel Cast Iron 304 Stainless Steel	
Mechanical Seal Material – Upper Side Material – Lower Side Impeller Type Bearing Motor Three Phase Service Factor Motor Protection Accessories	Double Mechanical Seal Carbon/Ceramic Silicon Carbide/Silicon Carbide Non-clog single channel Pre-lubricated Ball Bearing Air-filled, dry submersible, Class F Insulation 208/230 or 460V 1.15 3HP: Built-in Auto cut - overload, out-of-phase, single phasing protection 5 to 30HP: Built-in thermal detector Submersible cable 33 ft.	66 ft. QDC System

Performance Curves

80, 100, 150DML65.5 (7.5HP) Synchronous Speed: 1800 RPM 3, 4, 6 inch Discharge



80, 100, 150DML67.5 (10HP) Synchronous Speed: 1800 RPM 3, 4, 6 inch Discharge



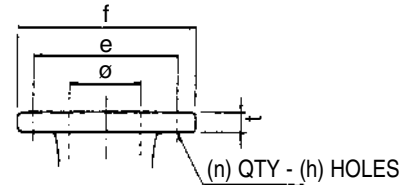
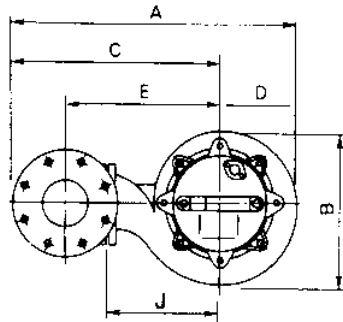
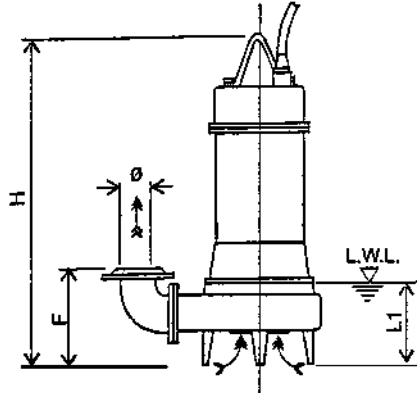
Dimensions

Model DMLU

80DMLU, 3 to 30HP

100DMLU, 5 to 30 HP

→ 150DMLU, 7.5 to 30HP



Flange (ANSI 125 PSI F.F)

inch					
Ø	e	f	t	n	h
3	6	7 1/2	3/4	4	3/4
4	7 1/2	9	15/16	8	3/4
6	9 1/2	11	1	8	3/4

mm					
Ø	e	f	t	n	h
80	150	185	19	4	19
100	175	210	20	8	19
150	240	280	22	8	19

Dimensions: inch

PHASE	SIZE Ø	MODEL	OUTPUT		PUMP & MOTOR									WEIGHT Lb
			kW	HP	A	B	C	D	E	F	H	J	L1	
THREE	3	80DMLU62.2	2.2	3	21	12 ⁵ / ₈	14 ⁷ / ₈	6 ³ / ₁₆	11 ¹ / ₄	11 ³ / ₄	26 ⁵ / ₁₆	8 ¹ / ₄	11	176
		80DMLU63.7	3.7	5	21	12 ⁵ / ₈	14 ⁷ / ₈	6 ³ / ₁₆	11 ¹ / ₄	11 ³ / ₄	28 ⁵ / ₈	8 ¹ / ₄	11	192
		80DMLU65.5	5.5	7.5	25 ⁹ / ₁₆	15	17 ¹³ / ₁₆	7 ³ / ₈	14 ³ / ₁₆	13 ¹ / ₈	32 ⁷ / ₁₆	10 ¹ / ₁₆	12 ³ / ₁₆	260
		80DMLU67.5	7.5	10	25 ⁹ / ₁₆	15	17 ¹³ / ₁₆	7 ³ / ₈	14 ³ / ₁₆	13 ¹ / ₈	32 ⁷ / ₁₆	10 ¹ / ₁₆	12 ³ / ₁₆	271
		80DMLU611	11	15	28 ⁷ / ₈	17 ¹⁵ / ₁₆	20 ³ / ₁₆	8 ¹ / ₁₆	16 ⁹ / ₁₆	13 ³ / ₄	36 ¹⁵ / ₁₆	12 ³ / ₈	12 ¹⁵ / ₁₆	346
		80DMLU615	15	20	28 ⁷ / ₈	17 ¹⁵ / ₁₆	20 ³ / ₁₆	8 ¹ / ₁₆	16 ⁹ / ₁₆	13 ³ / ₄	36 ¹⁵ / ₁₆	12 ³ / ₈	12 ¹⁵ / ₁₆	359
	80DMLU622	22	30	30 ⁹ / ₁₆	19 ⁹ / ₁₆	21	9 ⁵ / ₈	17 ⁵ / ₁₆	14 ³ / ₁₆	40 ³ / ₁₆	13 ³ / ₁₆	13 ¹ / ₁₆	492	
	4	100DMLU63.7	3.7	5	22 ¹¹ / ₁₆	12 ⁵ / ₈	16 ⁹ / ₁₆	6 ³ / ₁₆	12 ³ / ₈	12 ⁵ / ₁₆	28 ⁵ / ₈	8 ¹ / ₄	11	196
		100DMLU65.5	5.5	7.5	25 ¹¹ / ₁₆	15	18 ⁵ / ₁₆	7 ³ / ₈	14 ³ / ₁₆	13 ¹ / ₈	32 ⁷ / ₁₆	10 ¹ / ₁₆	12 ³ / ₁₆	267
		100DMLU67.5	7.5	10	25 ¹¹ / ₁₆	15	18 ⁵ / ₁₆	7 ³ / ₈	14 ³ / ₁₆	13 ¹ / ₈	32 ⁷ / ₁₆	10 ¹ / ₁₆	12 ³ / ₁₆	276
		100DMLU611	11	15	29 ³ / ₈	17 ¹⁵ / ₁₆	20 ¹¹ / ₁₆	8 ¹ / ₁₆	16 ⁹ / ₁₆	13 ³ / ₄	36 ¹⁵ / ₁₆	12 ³ / ₈	12 ¹⁵ / ₁₆	353
		100DMLU615	15	20	29 ³ / ₈	17 ¹⁵ / ₁₆	20 ¹¹ / ₁₆	8 ¹ / ₁₆	16 ⁹ / ₁₆	13 ³ / ₄	36 ¹⁵ / ₁₆	12 ³ / ₈	12 ¹⁵ / ₁₆	366
100DMLU622		22	30	31 ¹ / ₈	19 ⁹ / ₁₆	21 ⁷ / ₁₆	9 ⁵ / ₈	17 ⁵ / ₁₆	14 ³ / ₁₆	40 ³ / ₁₆	13 ³ / ₁₆	13 ¹ / ₁₆	498	
6	150DMLU65.5	5.5	7.5	28 ¹ / ₁₆	15	20 ¹¹ / ₁₆	7 ³ / ₈	15 ³ / ₁₆	14 ¹ / ₂	32 ⁷ / ₁₆	10 ¹ / ₁₆	12 ³ / ₁₆	280	
	150DMLU67.5	7.5	10	28 ¹ / ₁₆	15	20 ¹¹ / ₁₆	7 ³ / ₈	15 ³ / ₁₆	14 ¹ / ₂	32 ⁷ / ₁₆	10 ¹ / ₁₆	12 ³ / ₁₆	291	
	150DMLU611	11	15	31 ³ / ₄	17 ¹⁵ / ₁₆	23 ¹ / ₁₆	8 ¹ / ₁₆	17 ¹ / ₂	15 ³ / ₁₆	36 ¹⁵ / ₁₆	12 ³ / ₈	12 ¹⁵ / ₁₆	366	
	150DMLU615	15	20	31 ³ / ₄	17 ¹⁵ / ₁₆	23 ¹ / ₁₆	8 ¹ / ₁₆	17 ¹ / ₂	15 ³ / ₁₆	36 ¹⁵ / ₁₆	12 ³ / ₈	12 ¹⁵ / ₁₆	379	
		150DMLU622	22	30	33 ⁷ / ₁₆	19 ⁹ / ₁₆	23 ¹³ / ₁₆	9 ⁵ / ₈	18 ⁵ / ₁₆	15 ¹¹ / ₁₆	40 ³ / ₁₆	13 ³ / ₁₆	511	

Dimensions: mm

PHASE	SIZE Ø	MODEL	OUTPUT		PUMP & MOTOR									WEIGHT kg
			kW	HP	A	B	C	D	E	F	H	J	L1	
THREE	80	80DMLU62.2	2.2	3	534	320	378	157	285	298	668	210	279	80
		80DMLU63.7	3.7	5	534	320	378	157	285	298	727	210	279	87
		80DMLU65.5	5.5	7.5	640	381	453	188	360	334	824	255	310	118
		80DMLU67.5	7.5	10	640	381	453	188	360	334	824	255	310	123
		80DMLU611	11	15	734	455	513	221	420	350	938	315	329	157
		80DMLU615	15	20	734	455	513	221	420	350	938	315	329	163
		80DMLU622	22	30	777	497	533	245	440	363	1021	335	332	223
		100	100DMLU63.7	3.7	5	577	320	420	157	315	313	727	210	279
	100DMLU65.5		5.5	7.5	653	381	465	188	360	334	824	255	310	121
	100DMLU67.5		7.5	10	653	381	465	188	360	334	824	255	310	125
	100DMLU611		11	15	746	455	525	221	420	350	938	315	329	160
	100DMLU615		15	20	746	455	525	221	420	350	938	315	329	166
	100DMLU622		22	30	790	497	545	245	440	363	1021	335	332	226
	150	150DMLU65.5	5.5	7.5	713	381	525	188	385	369	824	255	310	127
		150DMLU67.5	7.5	10	713	381	525	188	385	369	824	255	310	132
		150DMLU611	11	15	806	455	585	221	445	385	938	315	329	166
		150DMLU615	15	20	806	455	585	221	445	385	938	315	329	172
		150DMLU622	22	30	850	497	605	245	465	398	1021	335	332	232



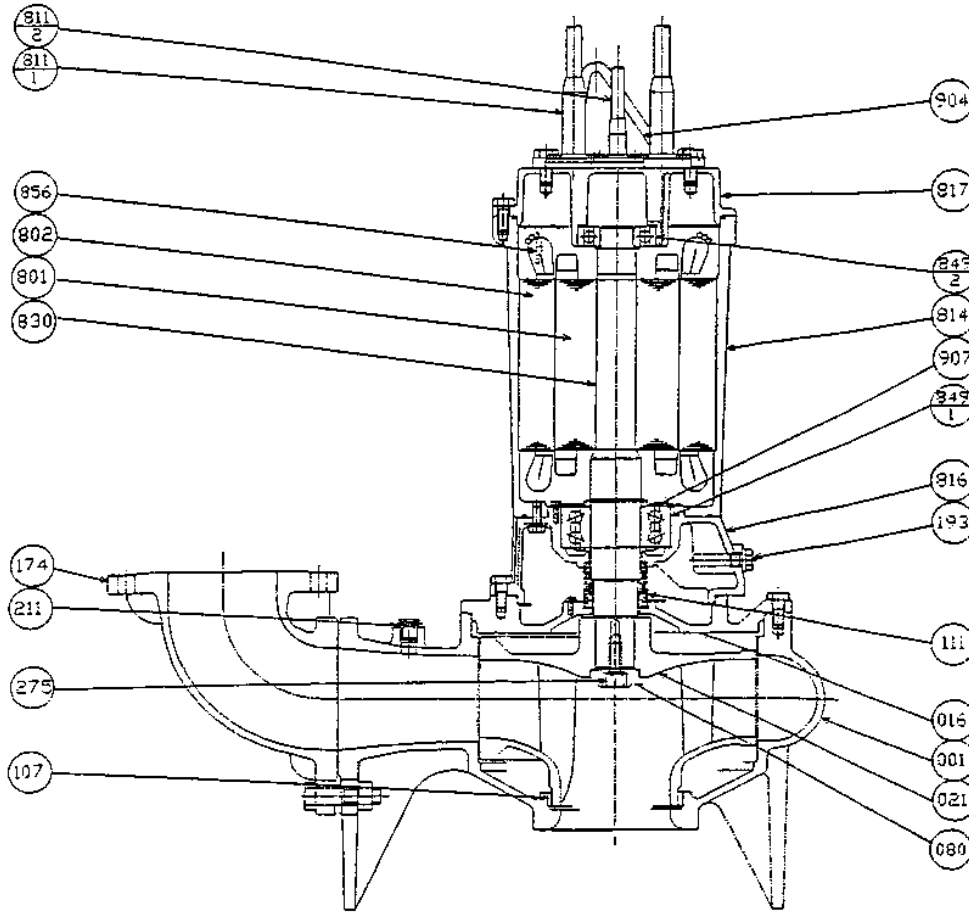
Sectional View

5 to 10 HP

80DML

100DML

→ 150DML



PART NO.	PART NAME	MATERIAL	NO. FOR 1 UNIT
001	CASING	CAST IRON	1
016	MECHANICAL SEAL COVER	CAST IRON	1
021	IMPELLER	CAST IRON	1
080	BUSHING	STEEL	1
107	WEARING RING	BRONZE	1
111	MECHANICAL SEAL	—	1
174	DISCHARGE PIPE	CAST IRON	1
193	OIL PLUG	RUBBER (NBR)	1 SET
211	AIRVENT VALVE	BRASS	1
275	IMPELLER BOLT	STAINLESS STEEL	1
801	ROTOR	—	1
802	STATOR	—	1

PART NO.	PART NAME	MATERIAL	NO. FOR 1 UNIT
811-1	SUBMERSIBLE CABLE (POWER)	—	2
811-2	SUBMERSIBLE CABLE (SIGNAL)	—	1
814	MOTOR FRAME	CAST IRON	1
816	POWER SIDE BRACKET	CAST IRON	1
817	OPPOSITE SIDE BRACKET	CAST IRON	1
830	SHAFT	STAINLESS STEEL	1
849-1	BALL BEARING	—	1
849-2	BALL BEARING	—	1
856	THERMAL PROTECTOR	—	3
904	LIFTING HANGER	STEEL	1
907	BEARING COVER	STEEL	1