

Specifications

	Standard	Optional
Size Suction Discharge	2CDU70 – 1¼" NPT Thread 2CDU120 – 1¼" NPT Thread ← 2CDU200 – 1½" NPT Thread 1" NPT Thread	
Range of HP	2 HP to 5 HP	
Range of Performance Capacity Head	5.5 to 66 GPM at 3600 RPM 98 to 245 feet at 3600 RPM	
Liquid handled Type of liquid Temperature Working pressure	Clean water Maximum: 212°F (100°C) Maximum: 125 PSI (9 Bar)	Maximum: 250°F (121°C) with optional high temperature seal
Materials Casing Impeller (closed type) Shaft Bracket Shaft Seal	304L Stainless Steel 304L Stainless Steel 304L Stainless Steel Cast iron Mechanical Seal – Type 21	High temperature version Mild chemical version
Direction of Rotation	Clockwise when viewed from motor end	
Motor Type Speed Single Phase Three Phase Motor Protection Bearing	NEMA 56J Frame 60 Hz, 3450 RPM (2 poles) TEFC – 2 HP to 5 HP ODP – 2 HP to 3 HP, 115/230V TEFC – 2 HP to 5 HP ODP – 2 HP to 3 HP, 208-230/460V Built-in overload protection (single phase) Ball Bearing	Explosion proof – consult factory Washdown duty – consult factory



***Note:** Model 2CDU is NSF/ANSI 61 Annex G listed

Certified to NSF/ANSI 61, ANNEX G



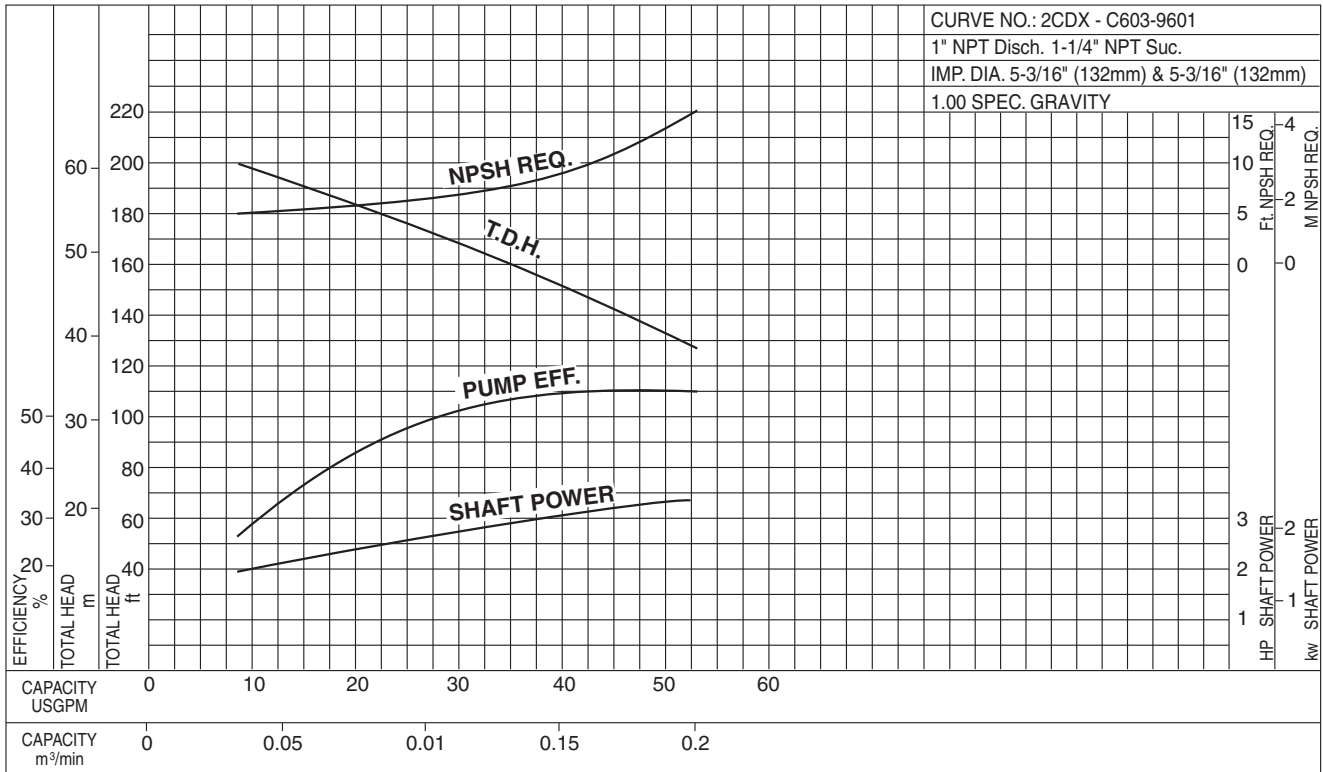
2CDX/2CDU

Model 2CDX/2CDU

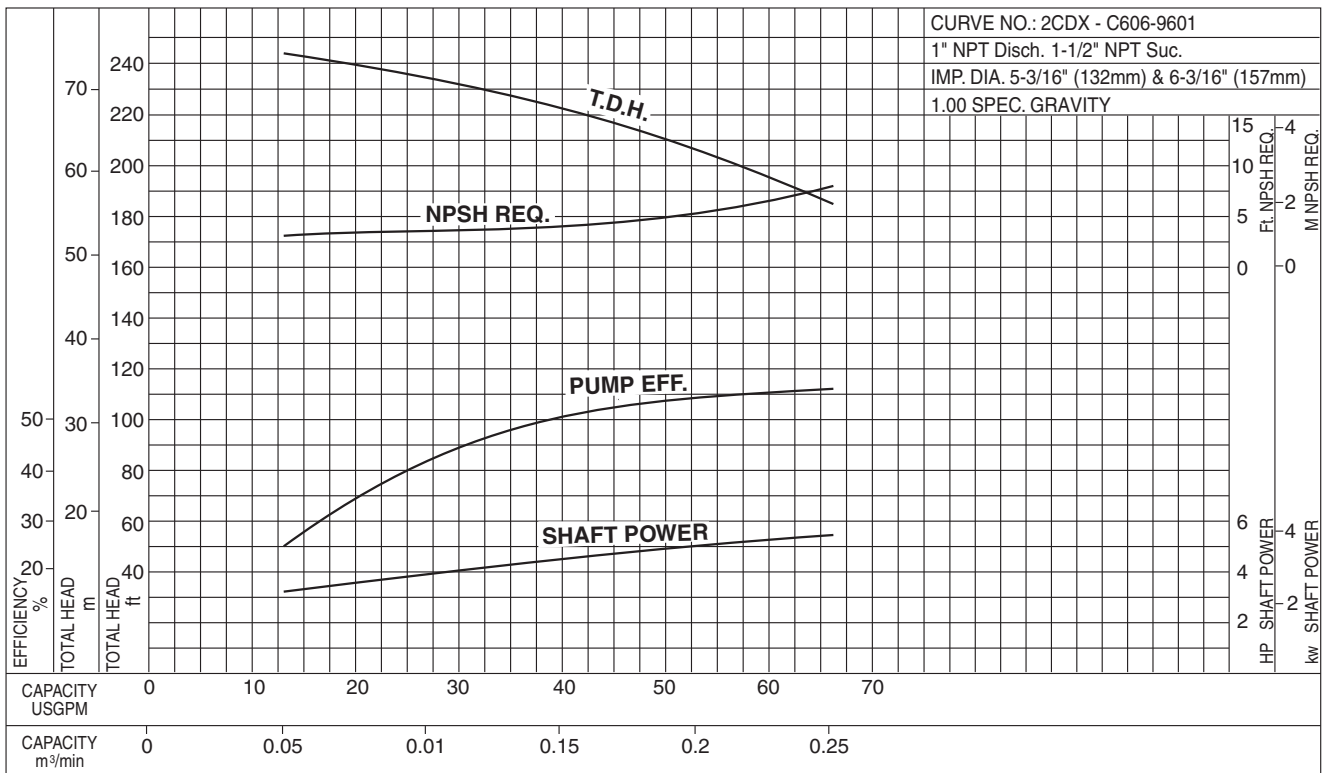
EBARA Stainless Steel Two-Stage Centrifugal Pumps

Performance Curves

2CDXU 120/306-3HP 2CDU 120/306-3HP Synchronous Speed: 3600 RPM Size: 1 × 1¼ × 5³/₁₆ × 5³/₁₆



2CDXU 200/506-5HP 2CDU 200/506-5HP Synchronous Speed: 3600 RPM Size: 1 × 1½ × 5³/₁₆ × 6³/₁₆



Model 2CDU

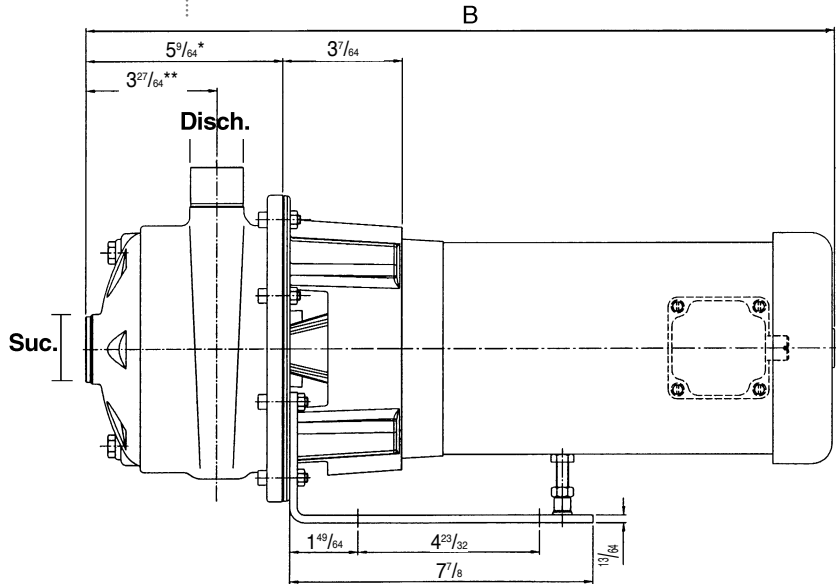
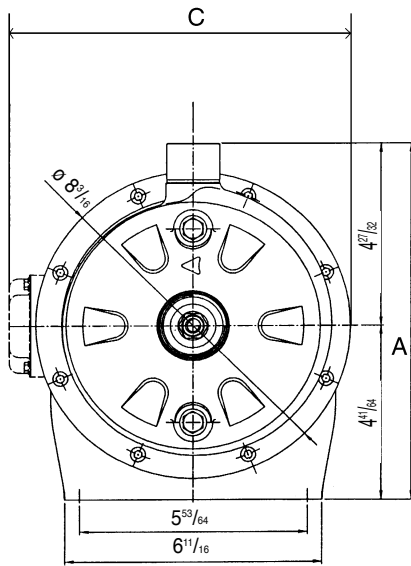
EBARA Stainless Steel Two-Stage Centrifugal Pumps

Dimensions

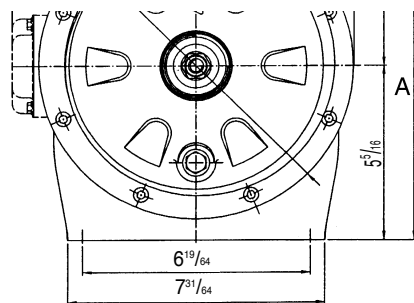
Pump with Standard NEMA motor

Note: All dimensions in inches

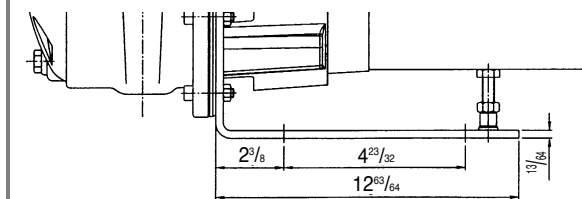
Note:
Dimensions for Model 2CDU120/306
*5⁷/₃₂
**3¹/₂



Note:
Dimensions for
Model 2CDU200/506 5HP



Note:
Dimensions for
Model 2CDU200/506 5HP



Model	Pump Size – NPT (Inch)		Dimension (Inch)			Approximate Weight (lbs.)			
	Suction	Discharge	Maximum Height (A)	Maximum Length (B)	Maximum Width (C)	Single Phase		Three Phase	
						ODP	TEFC	ODP	TEFC
2CDU70/206	1 ¹ / ₄	1"	9.77	20.27	7.323	55	65	50	45
2CDU70/306	1 ¹ / ₄	1"	10.82	21.87	11.66	65	90	55	60
2CDU120/306	1 ¹ / ₄	1"	10.82	21.91	11.66	65	90	55	65
2CDU200/506	1 ¹ / ₂	1"	11.66	23.5	11.66	n/a	100	n/a	90