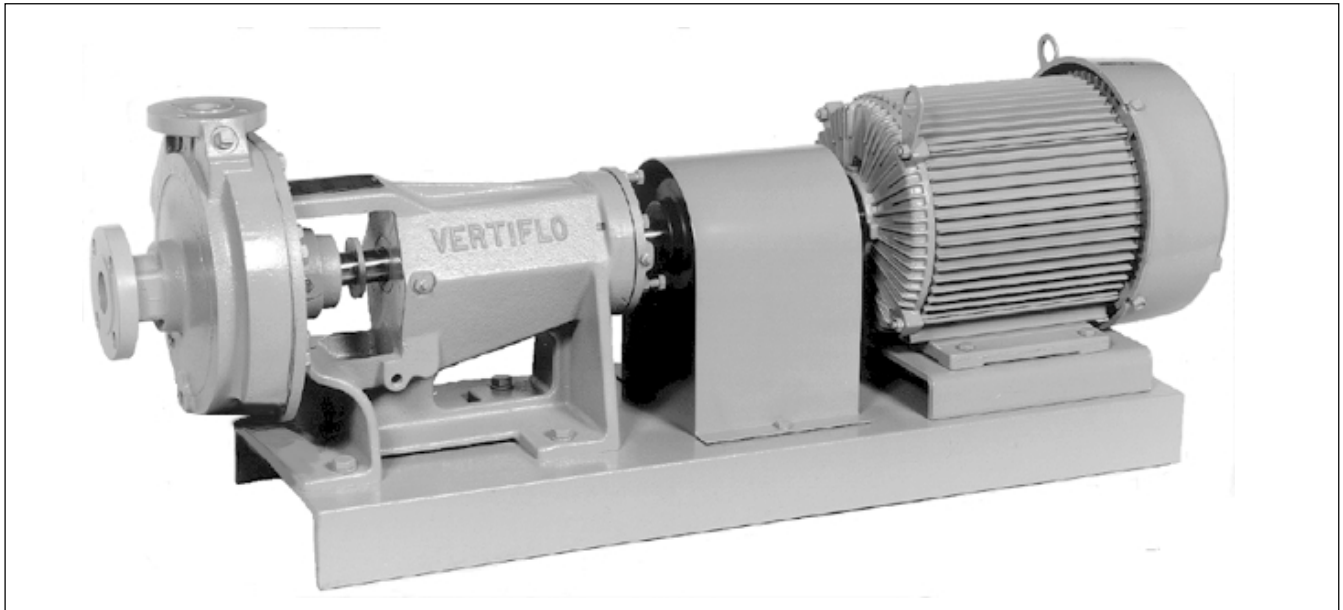


VERTIFLO Model 1400LF

Quality Design Features Assure Long, Trouble-Free Service



WIDE RANGE OF APPLICATIONS:

- Boiler Feed
- Condensate
- Chemical Process
- Washdown
- Spray Washers

*Also available as
vertical wet pit pump*

CAPABILITIES

- Capacities to 50 GPM
- Heads To 345 Feet TDH
- Temperature to 250° F
- Back Pull-Out Construction
- Radial Vane Impeller
- External Impeller Adjustment
- Packing or Mechanical Seal

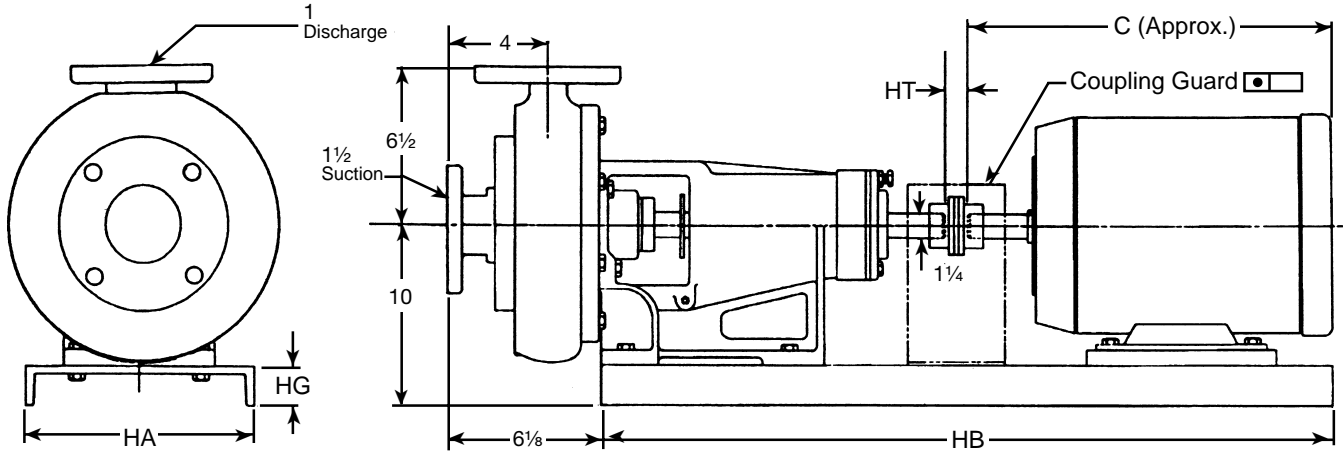
CONSTRUCTION:

- Ductile Iron
- Bronze Fitted
- 316 Stainless Steel Fitted
- All 316 Stainless Steel

Series 1400 horizontal base-mounted end suction pumps are designed for use with any T or U frame motor, or with virtually any type of drive. VERTIFLO's base-mounted pumps are designed with back pull-out feature. This important feature allows for easy inspection or service/ maintenance (if ever needed) without disturbing the piping to the pump: an important cost saving feature.

Packing or various mechanical seal arrangements are available as standard options of this rugged, dependable product.

VERTIFLO PUMP COMPANY



1400LF Dimensions

Frame No.	143T	145T	182T	184T	213T	215T	254T	256T	284TS	284T
HA	12	12	12	12	12	12	15	15	15	15
HB	36	36	36	36	36	36	44	44	44	44
C	13 ¹ / ₈	13 ¹ / ₈	14 ⁵ / ₈	15 ⁵ / ₈	17 ³ / ₄	19 ¹ / ₄	22 ⁷ / ₈	24 ⁵ / ₈	24 ¹ / ₂	25 ⁷ / ₈
HG	3	3	3	3	3	3	3 ³ / ₈	3 ³ / ₈	3 ³ / ₈	3 ³ / ₈
HT	3/4	3/4	3/4	3/4	3/4	3/4	1	1	1	1

1400LF Performance Curve

