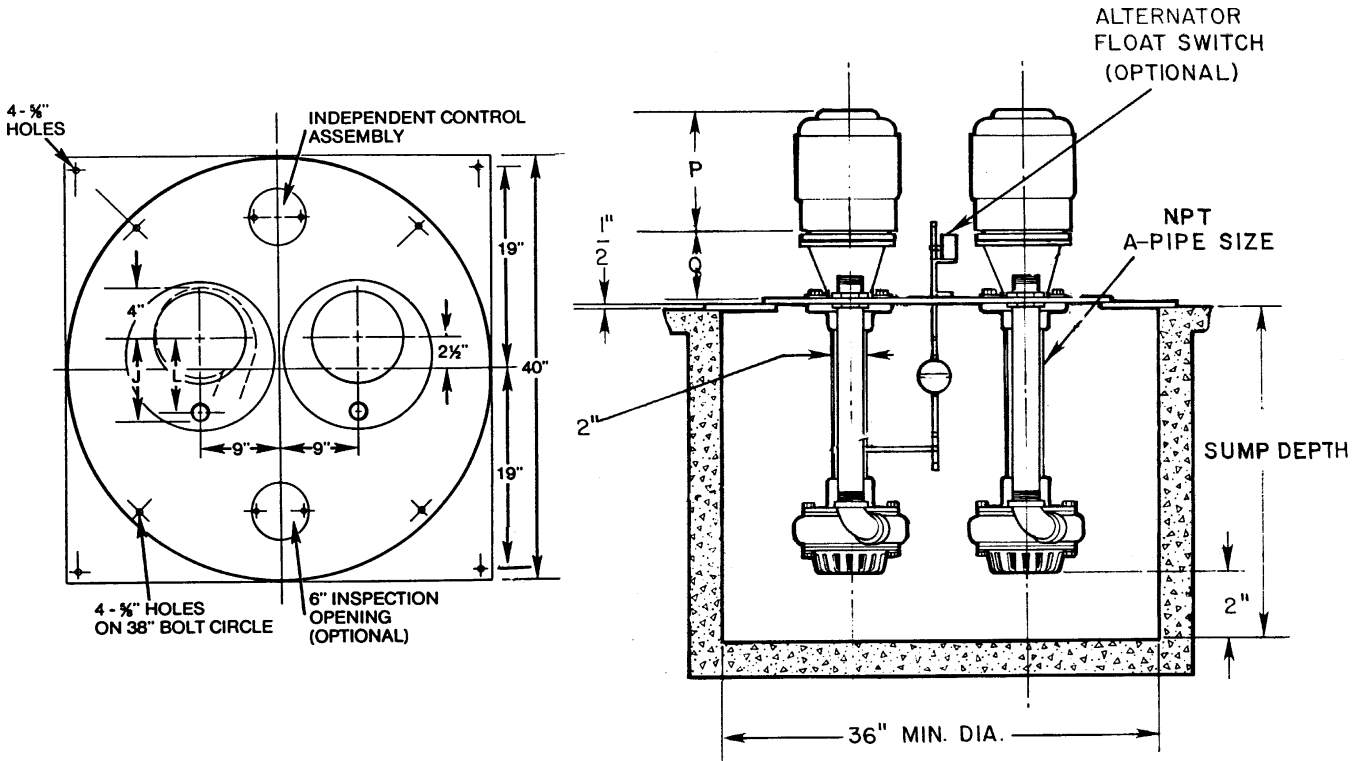


# VERTIFLO PUMP COMPANY Dimensions

## 814 Duplex Sump Pump



### PUMP DATA

SIZE	A	C	J	L
1½ x 1 x 6	1	2 to 12 Feet*	7½	6½
	1½		8¼	7
2 x 1½ x 6	1½	2 to 12 Feet*	8½	7¼
	2		9¼	7¾

### MOTOR DATA

FRAME	P	Q
56 C	12⅞	5⅝
143 TC - 145TC	12¼	5⅝
182TC - 184TC	15⅞	6⅝
213TC - 215TC	16⅞	6⅝

\* Sump Depth is in 1 Foot Increments

Not for construction unless certified, some dimensions may vary ± 1/2". Pump Construction: \_\_\_\_\_

CUSTOMER \_\_\_\_\_ CUSTOMER NO. \_\_\_\_\_  
 PROJECT \_\_\_\_\_ SERIAL NO. \_\_\_\_\_  
 ENGINEER \_\_\_\_\_ LOCATION \_\_\_\_\_  
 CONTRACTOR \_\_\_\_\_  
 PUMP Model Size Curve No. GPM Head SP. GR. @Temp. Pump Length Plate  
 DATA \_\_\_\_\_  
 MOTOR Mfg. HP RPM Volt-Phase-Cycle Frame ENC. Furnished by Mounted by  
 DATA \_\_\_\_\_  
 Shop Order \_\_\_\_\_ Certified by \_\_\_\_\_ Date \_\_\_\_\_