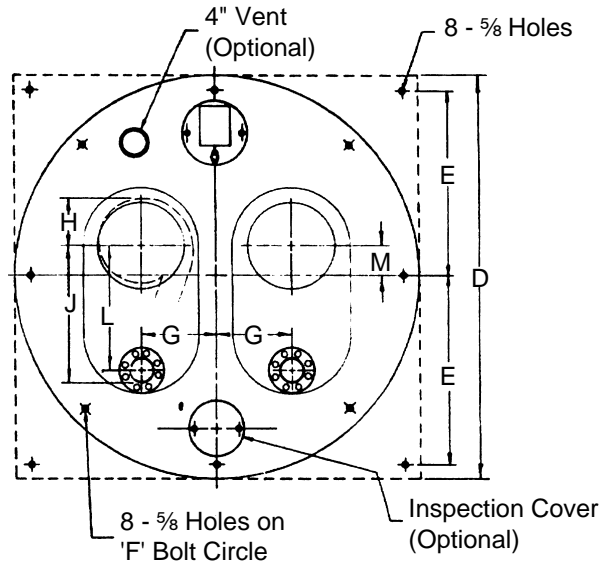


VERTIFLO PUMP COMPANY Dimensions

900 Series Duplex

PUMP DATA

SIZE	MODEL	A	B	C	D	E	F	H	J	K	L	M	N	G	
1½x1½x10	920	1½	2	2' TO 20' IN 1' INCREMENTS	48	54	25½	51	7½	13¾	5¾	13¼	6½	½	11
		2			54	60	28½	57	7½	16½	3¼	14½	6½	½	11
3	60	66	31½		63	7½	19	13¾	16¾	7	½	11			
4	60	66	31½		63	7¾	21½	11¾	18¾	8	½	12½			
6	60	66	31½		63	8¾	23¾	8¾	20	8	5/8	12½			
8	60	66	31½		63	9¾	21½	10¾	18¾	8	5/8	12½			
2x2x10	920	2	3	2' TO 20' IN 1' INCREMENTS	54	60	28½	57	7½	16½	3¼	14½	6½	½	11
		3			60	66	31½	63	7½	19	13¾	16¾	7	½	11
4	60	66	31½		63	7¾	21½	11¾	18¾	8	½	12½			
6	60	66	31½		63	8¾	23¾	8¾	20	8	5/8	12½			
8	60	66	31½		63	9¾	21½	10¾	18¾	8	5/8	12½			
10	60	66	31½		63	10¾	23¾	11¾	20	8	5/8	12½			
3x3x10	924	3	4	2' TO 20' IN 1' INCREMENTS	60	66	31½	63	7½	19	13¾	16¾	7	½	11
		4			60	66	31½	63	7¾	21½	11¾	18¾	8	½	12½
6	60	66	31½		63	8¾	23¾	8¾	20	8	5/8	12½			
8	60	66	31½		63	9¾	21½	10¾	18¾	8	5/8	12½			
10	60	66	31½		63	10¾	23¾	11¾	20	8	5/8	12½			
12	60	66	31½		63	11¾	21½	12¾	18¾	8	5/8	12½			
4x4x10	924	4	6	2' TO 20' IN 1' INCREMENTS	60	66	31½	63	7¾	21½	11¾	18¾	8	½	12½
		6			60	66	31½	63	8¾	23¾	8¾	20	8	5/8	12½
8	60	66	31½		63	9¾	21½	10¾	18¾	8	5/8	12½			
10	60	66	31½		63	10¾	23¾	11¾	20	8	5/8	12½			
12	60	66	31½		63	11¾	21½	12¾	18¾	8	5/8	12½			
14	60	66	31½		63	12¾	23¾	13¾	20	8	5/8	12½			
8x6x10	932	6	8	2' TO 20' IN 1' INCREMENTS	60	66	31½	63	8¾	23¾	8¾	20	8	5/8	12½
		8			60	66	31½	63	9¾	21½	10¾	18¾	8	5/8	12½
10	60	66	31½		63	10¾	23¾	11¾	20	8	5/8	12½			
12	60	66	31½		63	11¾	21½	12¾	18¾	8	5/8	12½			
14	60	66	31½		63	12¾	23¾	13¾	20	8	5/8	12½			
16	60	66	31½		63	13¾	21½	14¾	18¾	8	5/8	12½			
4x4x13	932	4	6	2' TO 20' IN 1' INCREMENTS	60	66	31½	63	9¾	21½	10¾	18¾	8	5/8	12½
		6			60	66	31½	63	10¾	23¾	11¾	20	8	5/8	12½

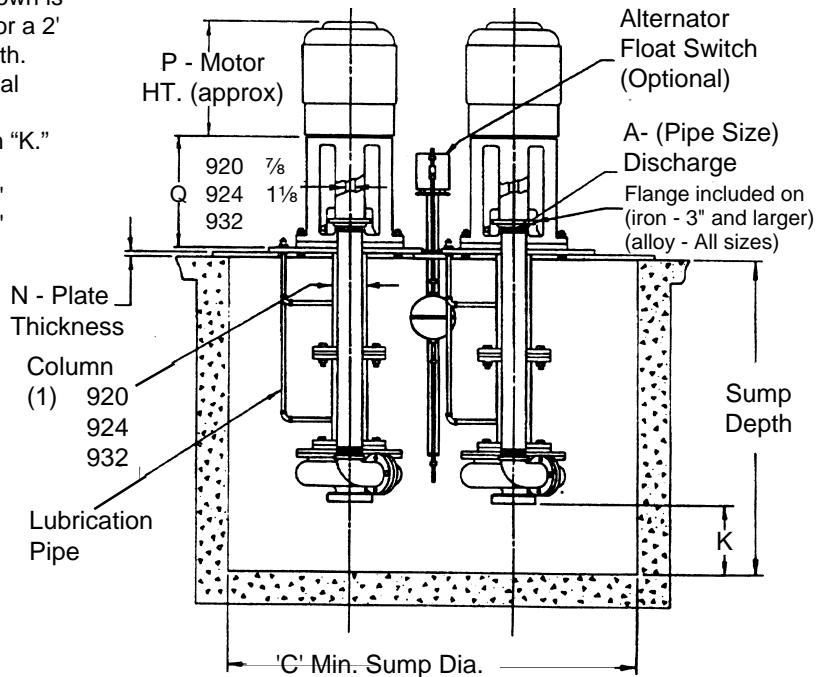


MOTOR DATA

FRAME	P	Q
56 C	10 ⁷ / ₁₆	12
143 TC	10	12
145 TC	10 ⁷ / ₁₆	12
182 - 184 TC	13½	12
213 TC	15½	12
215 TC	17	12
254 TC	20 ⁷ / ₈	12
256 TC	21 ⁷ / ₈	12
284 TC	22 ³ / ₈	13
286 TC	23 ⁷ / ₈	13
324 TC	24 ³ / ₄	13½
326 TC	26 ¹ / ₈	13½
364 TC	26½	16 ⁵ / ₈
365 TC	27½	16 ⁵ / ₈

"K" dimension shown is for a pump built for a 2' through 6' pit depth. For each additional column section, subtract 3/8" from "K."

(1) 920 + 924 = 4"
932 = 6"



Not for construction unless certified, some dimensions may vary ± 1/2". Pump Construction: _____

CUSTOMER _____ CUSTOMER NO. _____
 PROJECT _____ SERIAL NO. _____
 ENGINEER _____ LOCATION _____
 CONTRACTOR _____
 PUMP Model _____ Size _____ Curve No. _____ GPM _____ Head _____ SP. GR. @Temp. _____ Pump Length _____ Plate DATA _____
 MOTOR Mfgr. _____ HP _____ RPM _____ Volt-Phase-Cycle _____ Frame ENC. _____ Furnished by _____ Mounted by DATA _____
 Shop Order _____ Certified by _____ Date _____