



GOULDS PUMPS

Gooulds Model 3335 Low Flow/High Head Multi-Stage Pumps



Features

- High efficiency.
- Low NPSH required.
- Low initial cost.
- Quiet operation — vibration and maintenance free.
- Few wearing parts — performance remains essentially the same throughout life of pump.
- Steady pressure — no accumulators required to remove pulsation.
- No relief valves required.
- Easy flow regulation — simple control systems required.
- Steep performance curve for stable operation.
- Simple installation.
- Space saving.

- Capacities to 280 GPM (64 m³/h)
- Heads to 2500 feet (762 m)
- Temperatures to 180 ° (82 ° C)

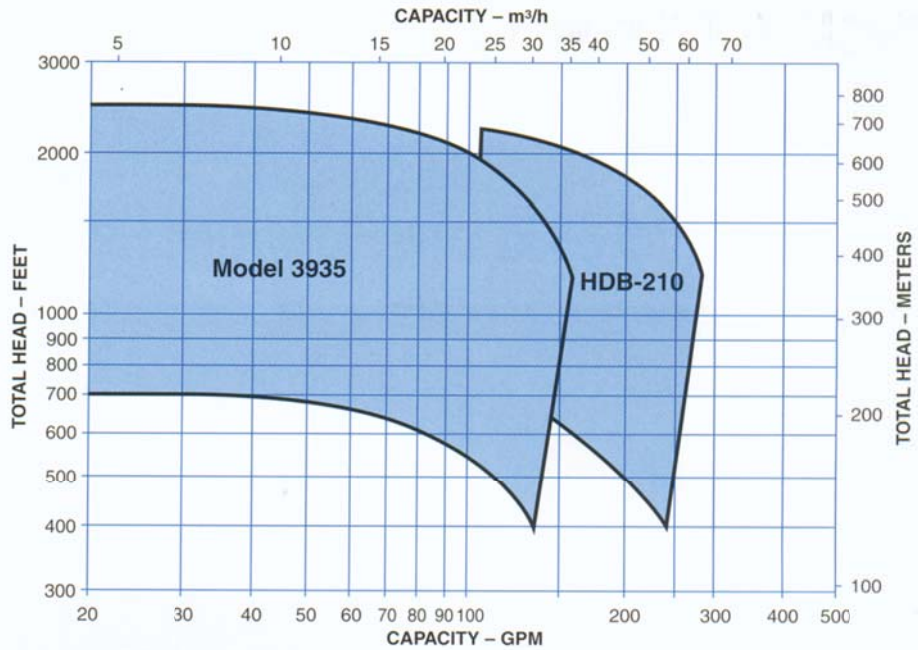
Services

- Brackish-Seawater Reverse Osmosis
- Boiler Feed
- Hydraulic Systems
- Descaling
- Process Water
- Spraying Systems
- High Pressure/High Temperature Cleaning
- All low flow applications when efficiency is critical.



ITT

3550 R.P.M. Performance Curve



Specifications

Suction & Discharge Castings Heavy walled to easily withstand maximum pressure limitations. Buttress type threading in casing for high pressure service.

Shaft K Monel for high strength and corrosion resistance. Pump shaft driven with lightly loaded, precision splined coupling with frame stub shaft.

Mechanical Seal Single inside seal standard. Provision for cooling jacket, double seals, tandem seals, etc. optional.

Bearing Frame High thrust capacity frame, oil lubricated. Frame has oil reservoir for cool, clean lubrication. Large diameter steel stub shaft

aligned through heavy duty anti-friction ball bearings designed for minimum 20,000 hour B-10 life.

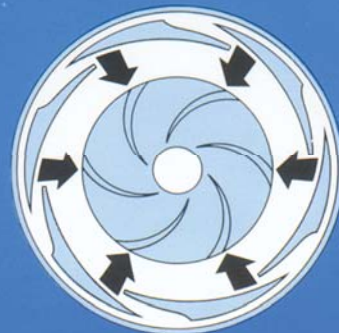
Coupling Industrial flexible couplings for easy mounting and maintenance.

Casing Three-piece barrel-type casing, joined to suction and discharge castings with buttress (mechanical threads) for maximum strength; O-rings seal casing and protect threads from pumpage.

Rotation Standard rotation is right hand, or clockwise viewed from frame end.

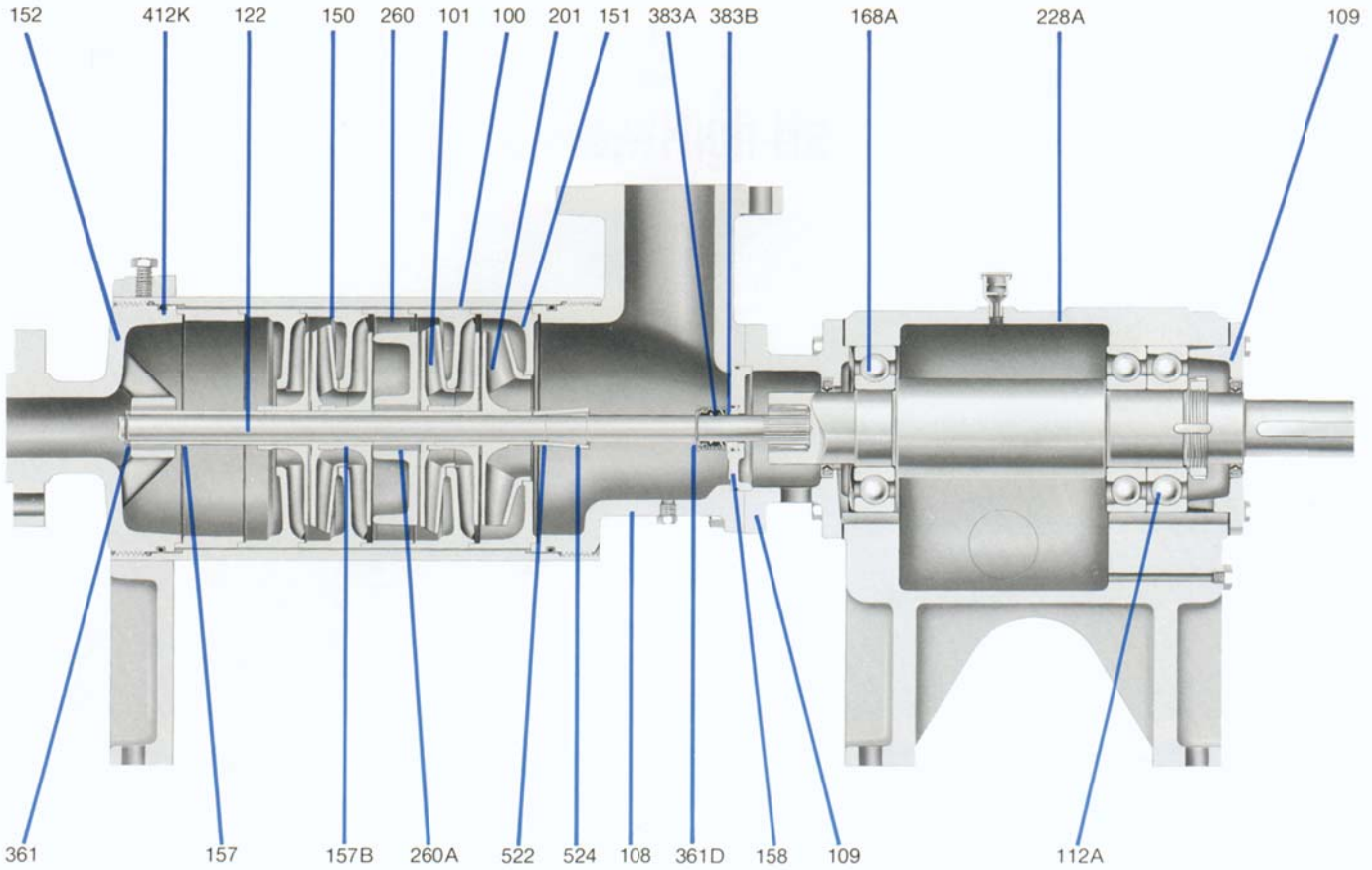
Quiet-Smooth Performance

The centrifugal characteristics of Goulds Model 3335 assure quiet, smooth, low maintenance operation. High pitched noise inherent in high speed single stage designs and piston noise associated with reciprocating pumps are alleviated with the Model 3335. Therefore, the quiet, smooth-running 3335 easily meets the sound and vibration level requirements demanded by today's ecology-minded industries.



**Radial Load
on Impeller
is Equal
and Balanced**

Sectional View Model 3335

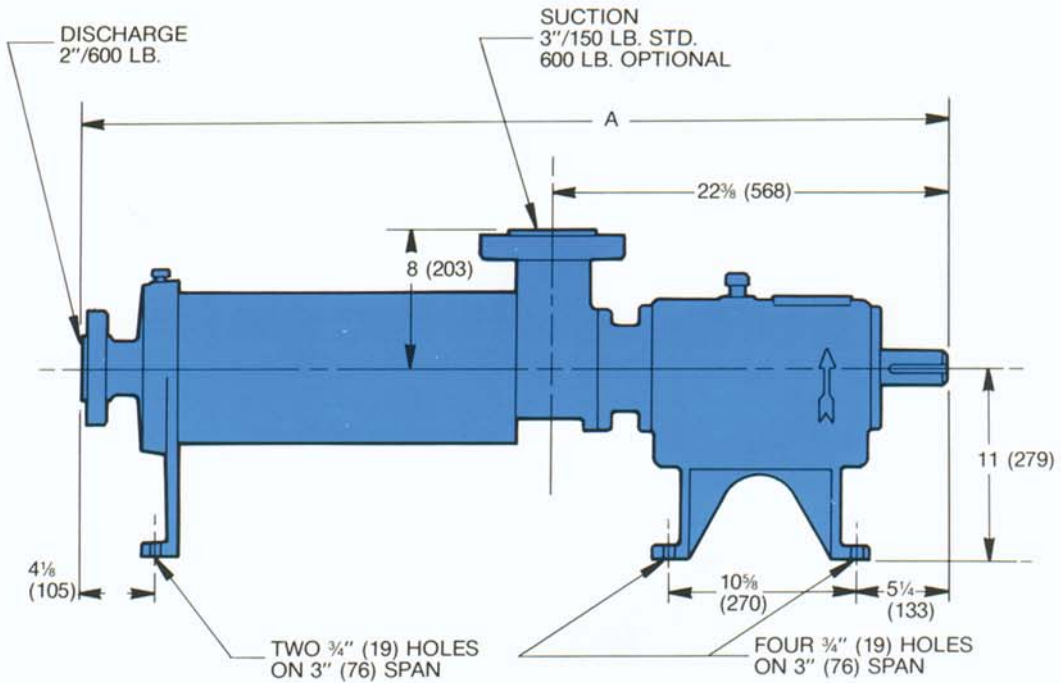


Parts List and Materials of Construction

Item No.	Part Name	Material	
		Standard	316SS
100	Casing	Carbon Steel/316SS	316SS
101	Impeller	Ni-Resist II	316SS
108	Casing Adapter	Ductile Iron	316SS
109	Bearing End Cover	Cast Iron	Cast Iron
112A	Ball Bearing, Thrust	Steel	Steel
122	Shaft	K-Monel	K-Monel
150	Diffuser	316SS	316SS
151	Suction Diffuser	316SS	316SS
152	Discharge Head	Ductile Iron	316SS
157	Spacer Sleeve	316SS	316SS
157B	Intermediate Bearing Shaft Sleeve	316SS	316SS
158	Stationary Seat Mount	316SS	316SS
168A	Ball Bearing, Inboard	Steel	Steel
178	Impeller Key (Not Shown)	K-Monel	K-Monel
201	Impeller, 1st Stage	Ni-Resist II	316SS
228A	Frame	Cast Iron	Cast Iron
251	Sight Oiler	White Metal/Glass	White Metal/Glass
260	Bearing Spider	Ductile Iron	316SS
260A	Bearing	Carbon	Carbon
361	Retaining Ring — Shaft	Stainless Steel	Stainless Steel
361D	Retaining Ring — Mechanical Seal	Stainless Steel	Stainless Steel
383A	Rotary Seal	18-8SS, Viton	18-8SS, Viton
383B	Stationary Seat	Ni-Resist, Viton	Tungsten Carbide, Viton
412K	O-Ring Casing	Viton	Viton
522	Drive Collar	316SS	316SS
524	Split Collet	316SS	316SS

Dimensions Model 3335

All dimensions in inches and (mm). Not to be used for construction.



DIMENSIONS

Size	A	Weight	
		Lbs.	(kg)
HDB 210-6	47 ⁷ / ₈ (1216)	330	(149.7)
HDB 210-8	51 ⁷ / ₈ (1318)	375	(170.1)
HDB 210-10	57 ³ / ₈ (1457)	410	(186.0)
HDB 210-12	61 ³ / ₈ (1559)	460	(208.7)
HDB 210-14	65 ³ / ₈ (1661)	550	(249.5)

FLANGE DIMENSIONS

Nom. I.D.	Flange Rating	O.D.	B.C.	No. of Holes	Dia. of Holes	Dia. R.F.
2	600 Lb.	6.50	5	8	.75	.25 x 3.62
3	150 Lb.	7.50	6	4	.75	.06 x 5
3	600 Lb.	8.25	6.62	8	.88	.25 x 5

Other High Pressure Pumps

Model 3700
High Temperature/High Pressure
Process Pumps



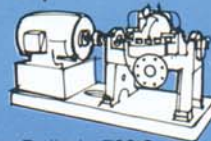
Ask for Bulletin 724.1

Model 3935
Series BP Multi-Stage Pumps



Ask for Bulletin 722.9

Model 3316
Two Stage, Horizontally Split
Case Pumps



Ask for Bulletin 722.6

Model VIT
Vertical Industrial
Turbine Pumps



Ask for Bulletin 3A.1



visit our website at www.gouldspumps.com

