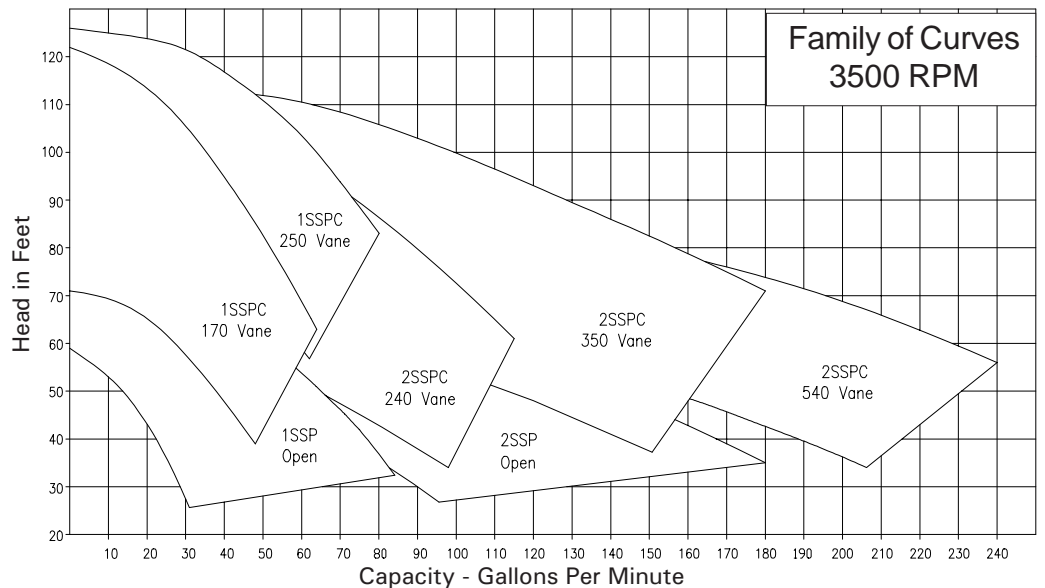


AMERICAN STAINLESS PUMPS

Stainless Steel Pumps for the Commercial Marketplace

SSP

- Stainless Steel
- Open or Enclosed Impellers
- End Suction
- Back Pullout
- Close Coupled
- High Efficiency



Applications

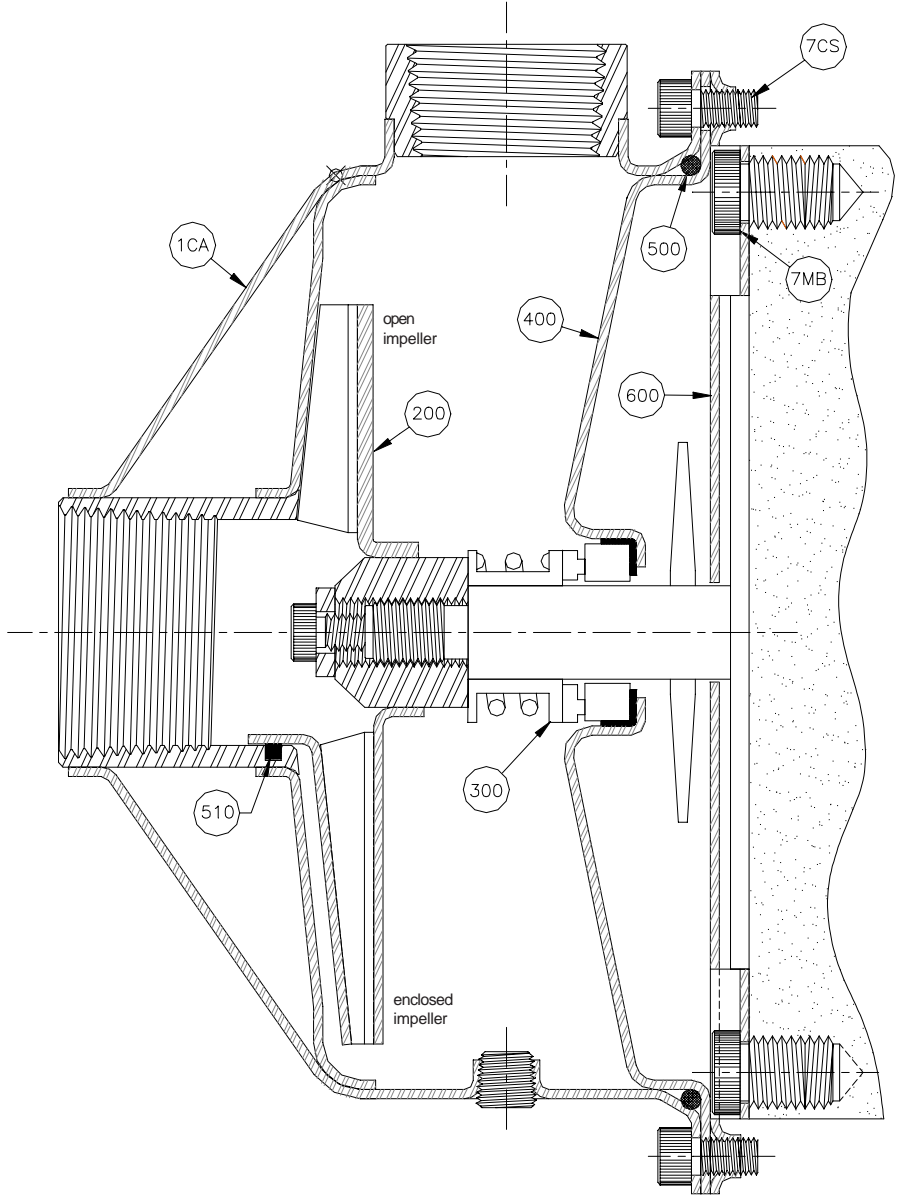
- Dishwashing Machines
- Commercial Laundry
- Parts Washers
- Pure Water Transfers
- Chillers
- Refrigeration Circulators
- Machine Tool Coolant
- Bottling Operations
- Water Circulation
- Mold Cooling
- Filtration Systems



www.aspumps.com

Pump Description

- All Stainless Steel wetted parts.
- Horizontal or vertical mounting.
- 56J Frame NEMA motors
- 1/2 HP to 5 HP
- ODP, TEFC, & Exp. Encl. available
- Capacities to 240 GPM
- Differential pressures to 54 psig
- Temperatures to 250°F
- Open impeller for solids handling, or enclosed impellers for higher heads and efficiencies
- Impeller locking screw available
- NPT threaded connections
- Casing rotates for easy connections
- Special Mechanical Seals available



Standard Materials of Construction

Item No.	Description	Material
100	Casing	304SS
200	Impeller	304SS
300	Mechanical Seal	As Required
400	Seal Plate	304SS
500	Case O-Ring	As Required
600	Motor Adaptor Plate	304SS
7CS	Case Screw	Nickel Plated Steel
7MB	Motor Bolt	Nickel Plated Steel
8PB	Pump Base	304SS



Chiller Applications



Parts Washers



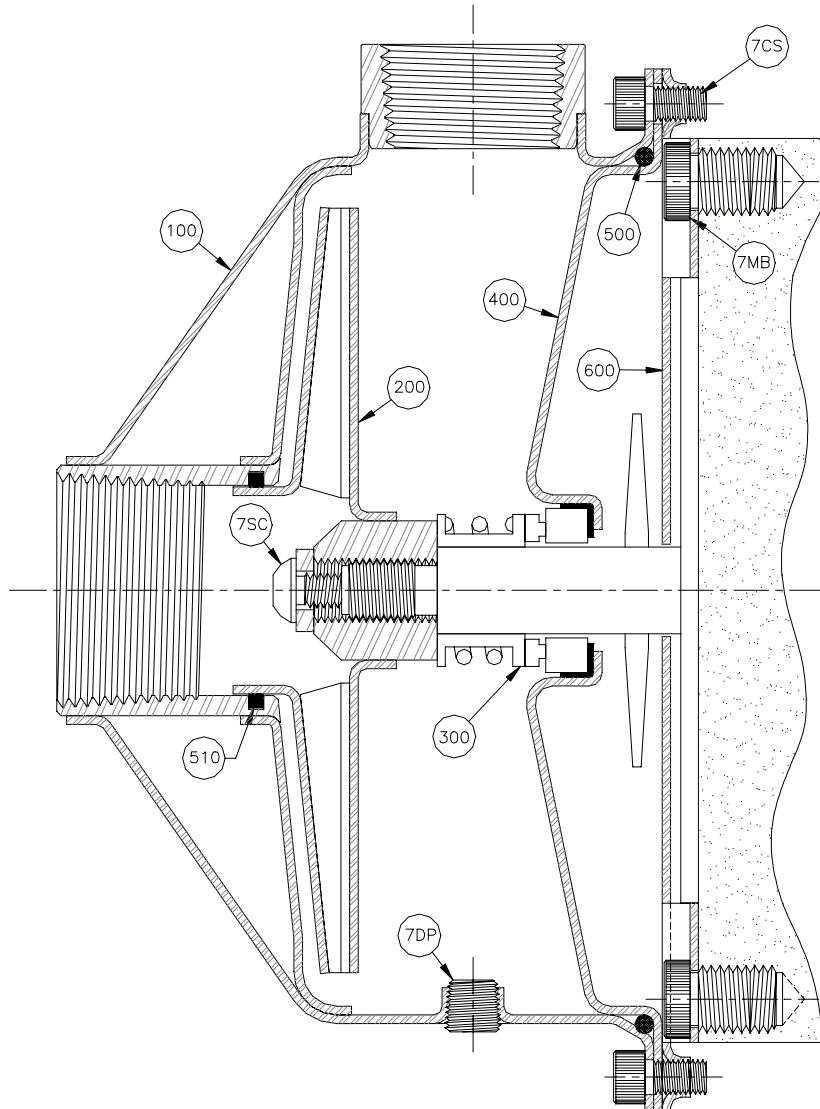
Dish Machines

AMERICAN STAINLESS PUMPS

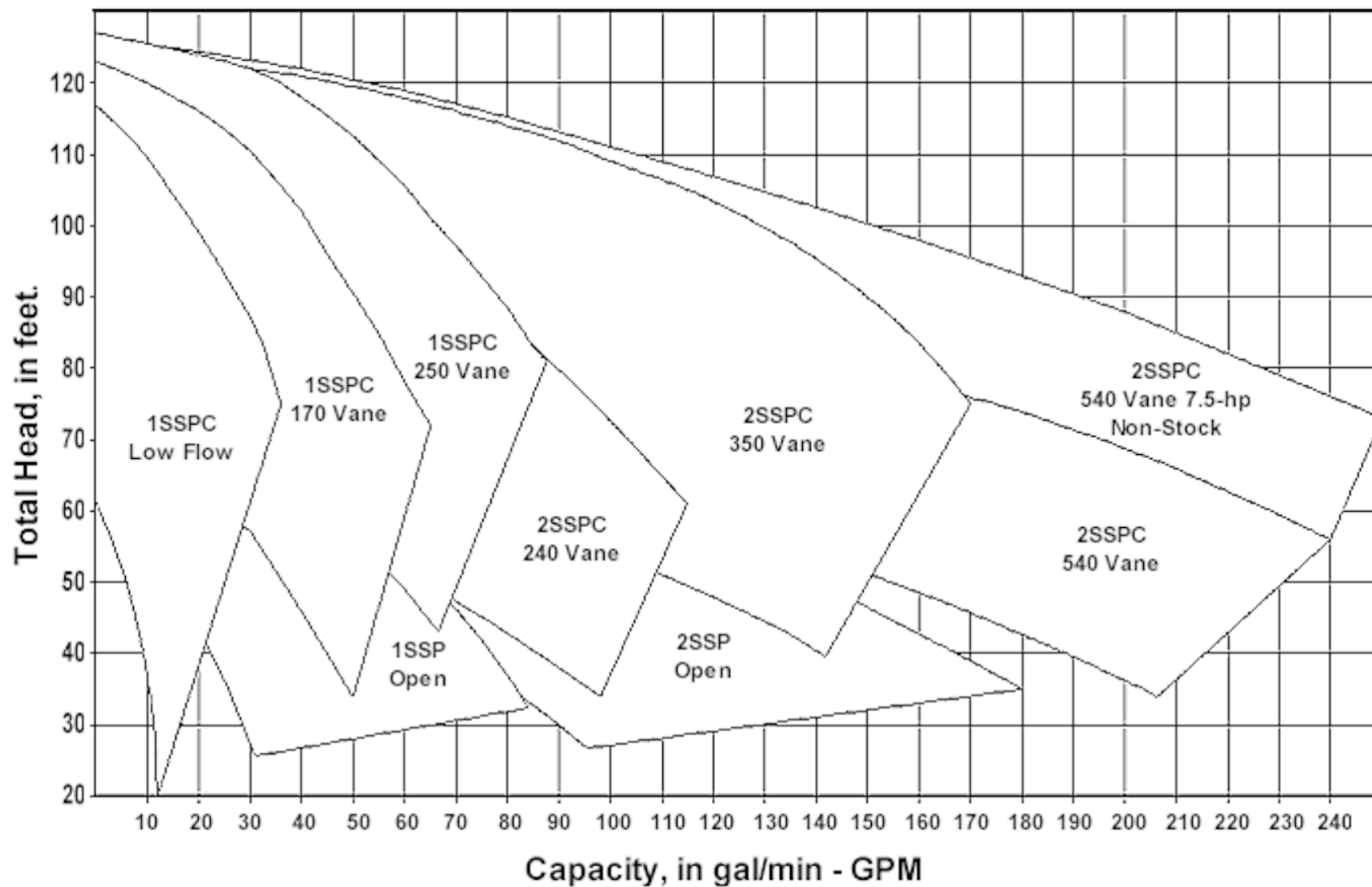
14032 South Avalon Blvd., #C. Los Angeles, CA. 90061
 Phone (310) 630-8089 ~ Fax: (310) 630-8095



SSPC (Enclosed Impeller) Cross Sectional Drawing

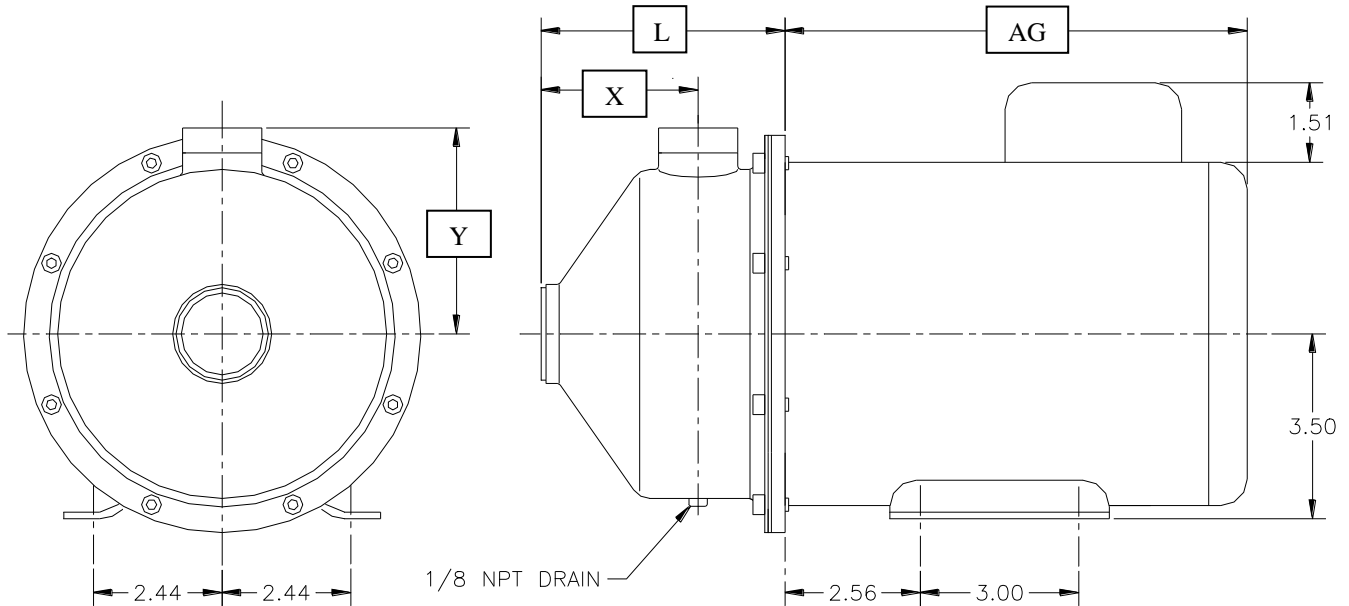


Item No.	Part Description	Standard Materials
100	Casing	304 SS
200	Impeller (Enclosed)	304 SS
300	Mechanical Seal - Type 6 (std.) (Other seal types available)	Car/Cer/Buna N/316 SS (Other materials available)
400	Seal Plate	304 SS
500	Casing O-Ring	Buna N (Other materials available)
510	Impeller O-Ring	Buna N (Other materials available)
600	Motor Adapter Plate	304 SS
7CS	Casing Screw - 1/4-20 (3/16 Allen)	Nickle Plated Steel
7DP	Drain Plug - 1/8" NPT	304 SS
7MB	Motor Bolt - 3/8-16 (7/32 Allen)	304 SS
7SC	Impeller Screw - 10-32LH (1/8 Allen) (Standard on 3-Ph motors 1-hp or larger)	304 SS
800 (not shown)	Pump Base (not supplied with footed motors)	304 SS





SSP & SSPC Dimensions With Footed Motor



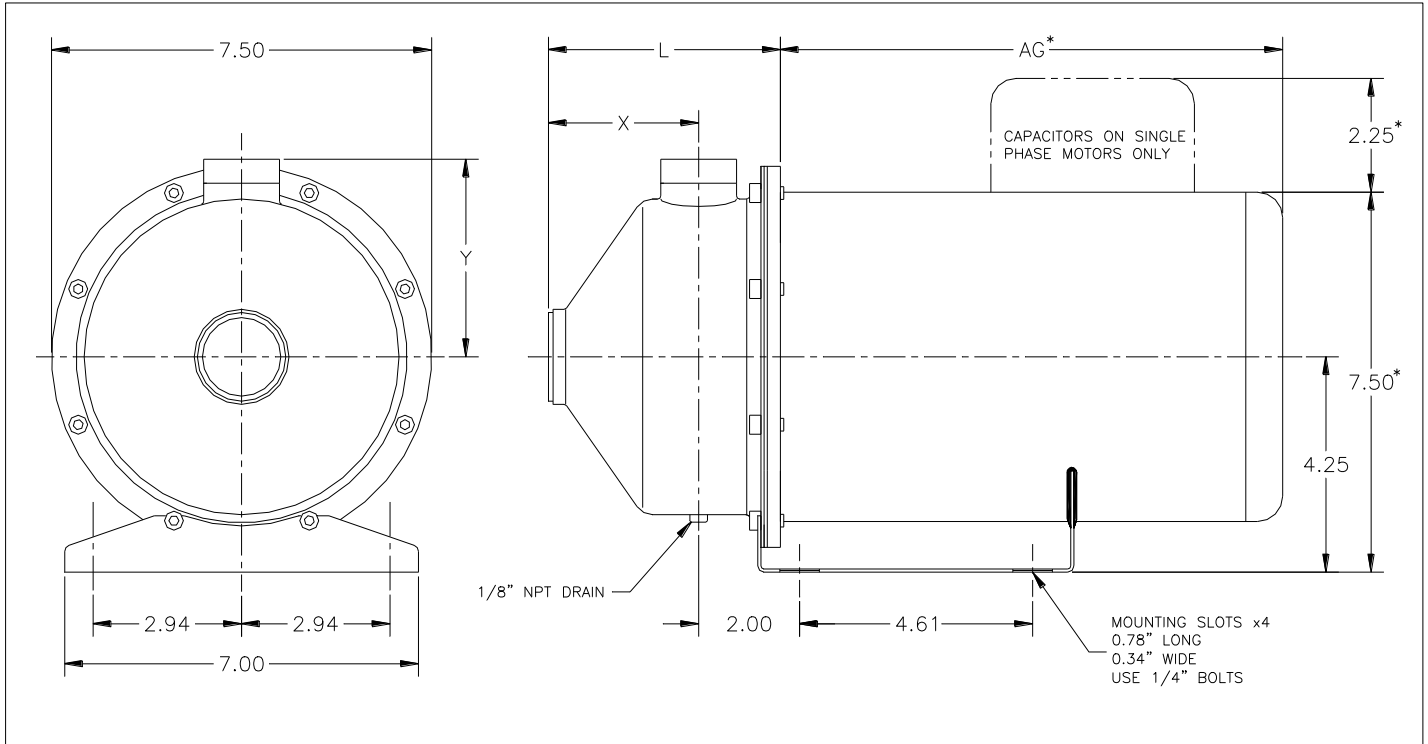
* Dimensions may vary by motor manufacturer or motor enclosure. Ideally, weights and dimensions listed are the largest for each motor horsepower size likely to be encountered. More detailed “Certified for Construction” drawings are available upon request.

Size	Suction	Discharge	L	X	Y	Motor HP	AG ODP 1Ø	AG ODP 3Ø	Ship Wgt. ODP 1Ø//3Ø	AG TEFC 1Ø	AG TEFC 3Ø	Ship Wgt. TEFC 1Ø//3Ø
1SSP/C	1.25 NPT	1.0 NPT	4.7	3.1	3.9	1/2	9.1	8.3	32 // 26	9.3	12.1	31 // 28
						3/4	9.6	11.2	35 // 28	9.8	12.0	38 // 29
						1.0	9.8	11.2	37 // 29	10.0	11.6	40 // 30
						1.5	10.3	11.6	42 // 32	10.5	13.6	46 // 43
						2.0	10.3	12.0	43 // 35	10.8	14.4	48 // 49
						3.0	10.8	12.8	46 // 39	11.3	15.6	55 // 57
2SSP/C	2.0 NPT	1.5 NPT	4.3	2.7	4.3	1.0	9.8	11.2	37 // 30	10.0	11.6	40 // 31
						1.5	10.3	11.6	42 // 33	10.5	13.6	46 // 44
						2.0	10.3	12.0	43 // 36	10.8	14.4	48 // 50
						3.0	10.8	12.8	46 // 40	11.3	15.6	55 // 58
						5.0	12.1	11.4	64 // 57	NA	13.6	NA // 54

All dimensions in inches ± 1/16". Shipment weight includes packaging.



SSP & SSPC Dimensions With Standard Pump Base



* Dimensions may vary by motor manufacturer or motor enclosure. Ideally, weights and dimensions listed are the largest for each motor horsepower size likely to be encountered. More detailed "Certified for Construction" drawings are available upon request.

Size	Suction	Discharge	L	X	Y	Motor HP	AG ODP 1Ø	AG ODP 3Ø	Ship Wgt. ODP 1Ø//3Ø	AG TEFC 1Ø	AG TEFC 3Ø	Ship Wgt. TEFC 1Ø//3Ø
1SSP/C	1.25 NPT	1.0 NPT	4.7	3.1	3.9	1/2	9.1	8.3	32 // 26	9.3	12.1	31 // 28
						3/4	9.6	11.2	35 // 28	9.8	12.0	38 // 29
						1.0	9.8	11.2	37 // 29	10.0	11.6	40 // 30
						1.5	10.3	11.6	42 // 32	10.5	13.6	46 // 43
						2.0	10.3	12.0	43 // 35	10.8	14.4	48 // 49
2SSP/C	2.0 NPT	1.5 NPT	4.3	2.7	4.3	3.0	10.8	12.8	46 // 39	11.3	15.6	55 // 57
						1.0	9.8	11.2	37 // 30	10.0	11.6	40 // 31
						1.5	10.3	11.6	42 // 33	10.5	13.6	46 // 44
						2.0	10.3	12.0	43 // 36	10.8	14.4	48 // 50
						3.0	10.8	12.8	46 // 40	11.3	15.6	55 // 58

All dimensions in inches ± 1/16". Shipment weight includes packaging.



AMERICAN STAINLESS PUMPS

Stainless Steel Pumps for the Commercial Marketplace

FSP and SSP and 7SP Catalog Number Nomenclature

Rev. Date
9/21/2018

C 1 56 25 B 1 T 1 X Sample code for a model SSPC, size 1x1.25 with a 5.75" diameter impeller, 0.250 Vane height (at 4.38" diameter), Carbon/Ceramic/Buna Type 6 mechanical seal, with a 1 HP, TEFC, 1/60/115-230V motor, and with a special construction code letter.

1st Symbol	Pump Model	F = FSP: 304 SS, 5 inch case, threaded connections
		S = SSP: Open Impeller, 304SS Pump, 6 inch case, threaded connections
		C = SSPC: Closed Impeller, 304SS Pump, 6 inch case, threaded connections
		D = 7SP: 304SS, 7 inch case, threaded connection

2nd Symbol	Size Code	1 = 1.0" x 1.25" NPT
	Discharge x Suction	2 = 1.5" x 2.0" NPT (SSP Only)
	Discharge x Suction	3 = 1.0" x 1.25" NPT (7SP Only)
	Discharge x Suction	4 = 1.5" 3A sanitary connections

3rd & 4th Symbol	Impeller Diameter	Digits indicate impeller diameter in inches, and eighths of an inch.
		Examples: 43 = 4 and 3/8 = 4.38", 56 = 5 and 6/8 = 5.75"

5th & 6th Symbol	Impeller Vane Height (at a reference ' diameter of 4.38")	Two digits indicate vane height at 4.38" diameter, as indicated on performance curve. Ex: 25 indicates an average vane height of approximately 0.250 inch at 4.38".
		(Note: if the impeller diameter is larger than 4.38", the vane height at the outside)

7th Symbol	Mechanical Seal Type & Materials	Type 16		(Std.)	Type-16 o-ring mount	
		B = Car/Cer/Buna	Stock			
		E = Car/Cer/EPR	Stock			
		V = Car/Cer/Viton	Stock		L = Car/SiC/Buna	
		4 = Car/SiC/Viton	Stock		M = Car/SiC/EPR	Stock
		5 = Car/SiC/EPR	Stock		N = Car/SiC/Viton	
		6 = SiC/SiC/Buna	Stock		P = SiC/SiC/Buna	Stock
		7 = SiC/SiC/EPR	Stock		R = SiC/SiC/EPR	Stock
		8 = SiC/SiC/Viton	Stock		T = SiC/SiC/Viton	Stock
		X = Special				

Note: Standard case and impeller o-ring material will match seal elastomer as selected above.

8th Symbol	Motor HP	A = 1/3 HP	1 = 1 HP	3 = 3 HP
		B = 1/2 HP	E = 1.5 HP	5 = 5 HP
		C = 3/4 HP	2 = 2 HP	7 = 7.5HP (non-stock)

9th Symbol	Motor Enclosure	D = Dripproof	X = Explosion Proof	V = TENV
		T = TEFC	W = Washdown Duty	S = Stainless Steel Motor

10th Symbol	Motor Power Details	Power Rating	3500 RPM	1750 RPM	2900 RPM
		1/60/115-230V	1	A	
		1/60/230V	2	B	
		3/60/208V	8		
		3/60/230-460V	3	C	
		3/60/460V	4	D	
		3/60/575V	5	E	
		1/50 or 1/60 (dual)	V	G	V
		3/50 or 3/60 (dual)	S	U	S
		Special	X	X	X
		1/50/110-220V			W
		1/50/220V			Y
3/50/380V			Z		

11th Symbol & Up	Special Construction Codes:	
	Consult factory for special pricing. May indicate a restricted OEM code.	= Stainless Steel Base (no symbol)
		F = Footed Motor
		S = Motor Shaft is 300SS
		X = Special - Consult factory with serial number
		W = welded impeller (no braze)
	V = VFD capable	