

**VERTIFLO SERIES 1200**

**Quality Design Features Assure Long, Trouble-Free Service**



**WIDE RANGE OF APPLICATIONS:**

- Industrial Process
- Corrosive Liquids
- Paint
- Waste Water
- Chemical Slurries

**CAPABILITIES:**

- Capacities to 3000 GPM
- Heads to 230 Feet
- Temperature to 400° F
- Pump Length to 6 Feet
- Shaft Diameter to 5"
- Construction: Cast Iron, 316 Stainless Steel, Alloy 20, CD4MC<sub>u</sub>

**CONSTRUCTION:**

**Standard**

- All iron
- Semi-open centrifugal impeller
- High thrust, double row thrust bearing
- Stress proof steel shaft
- Round, square or oval cover plates
- External impeller adjustment
- Flanged suction and discharge on all sizes
- Pump lengths up to 6 feet
- Shaft diameters to 5"

**Options**

- Stainless steel fitted
- All stainless steel
- Alloy 20
- Heavy wall discharge pipe
- Special floor plate sizes and configurations
- Control panels
- Level controls

*All cantilever pumps are hydraulically selected and engineered at the factory*

## 1. Flexible Coupling

## 2. External Impeller Adjustment

High performance maintained without dismantling pump

## 3. Bearings

All bearings are located above the floor plate. Moisture-proof enclosure with (2) grease seals, purge type grease lubrication. Extra heavy construction incorporating long bearing span for increased shaft rigidity and long pump life.

## 4. Direct or Belt Drives

Direct drive with standard Nema "C" face motor- Belt drive with standard "T" frame motor mounting also available

## 5. Shafting

Rugged alloy accurately machined with taper to precision tolerances

## 6. Column

Heavy duty steel with welded flanges

## 7. Shaft Sleeve (optional)

Protects shaft from abrasive particles at the throttle area

## 8 Positive Machined Fits

Rabbit fit to assure positive alignment throughout pump construction

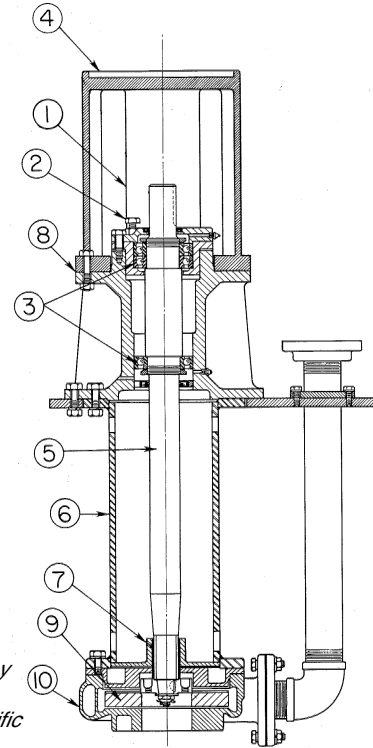
## 9. Impeller

Semi-open centrifugal design with balance ring and eductor vanes

## 10. Casing

Sizes 4 X 3 X 10 and larger are double volute. Heavy wall thickness for corrosion allowance

Typical Cross Section



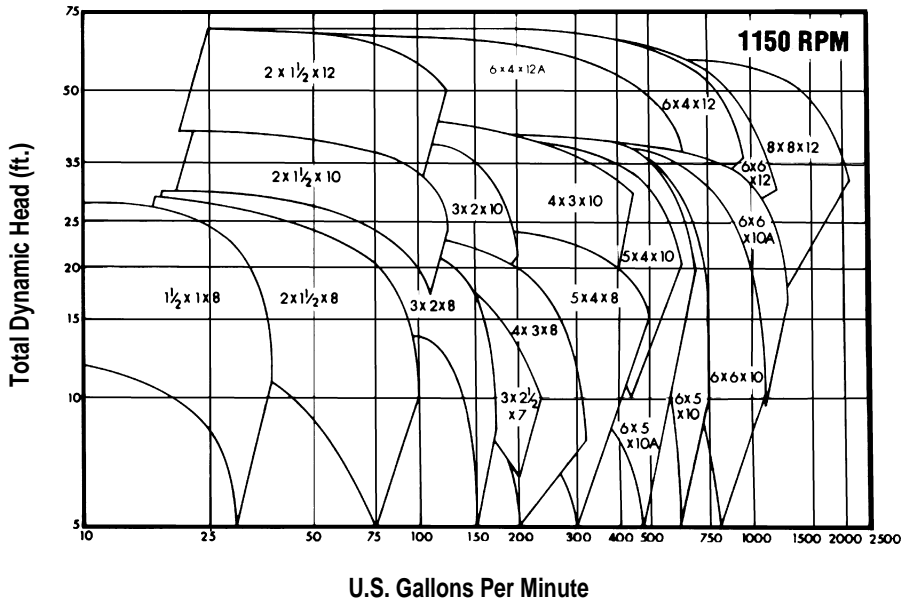
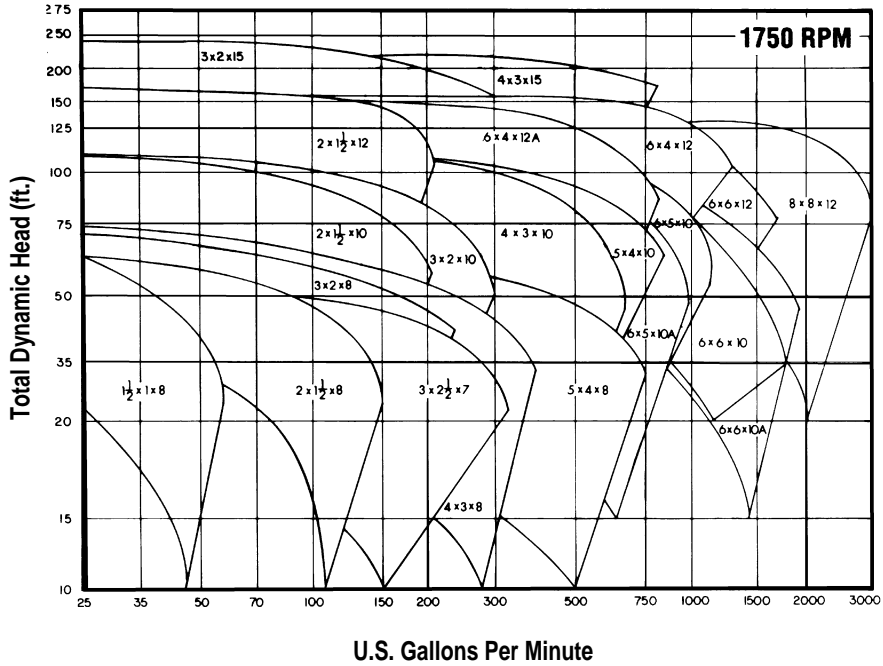
*Design may change to meet specific application.*

## Materials of Construction

Part Description	All Iron	316 Stainless Fitted	All 316 Stainless	Alloy 20
Support Head	Steel or Cast iron	Steel or Cast Iron	Steel or Cast Iron	Steel or Cast Iron
Thrust Bearing Housing, Bearing Cap	Steel	Steel	Steel	Steel
Thrust Bearing, Radial Bearing	Steel	Steel	Steel	Steel
Lip Seals	Nitrile	Nitrile	Nitrile	Nitrile
Shaft	Steel C1144	Stainless Steel AISI-316	Stainless Steel AISI-316	Alloy 20
Shaft Sleeve (optional)	Stainless Steel AISI-316	Stainless Steel AISI-316	Stainless Steel AISI-316	Alloy 20
Impeller Nut	Stainless Steel AISI-316	Stainless Steel AISI-316	Stainless Steel AISI-316	Alloy 20
Case Adaptor	Steel	Steel	Stainless Steel AISI-316	Alloy 20
Impeller	Cast Iron Class-30	Stainless Steel AISI-316	Stainless Steel AISI-316	Alloy 20
Casing	Cast Iron Class 30	Cast Iron Class 30	Stainless Steel AISI-316	Alloy 20
Column, Discharge Pipe, Discharge Elbow	Steel	Steel	Stainless Steel AISI-316	Alloy 20

# VERTIFLO PUMP COMPANY Performance Curves

## Series 1200 Composite Performance Charts



**Refer to Series 800 for Specific Performance Curves**

Performance at Casing Discharge Flange

Curves Show Performance with Liquid Having Specific Gravity 1.0 Viscosity • 30 SSU

CUSTOMER \_\_\_\_\_ CUSTOMER NO. \_\_\_\_\_

PROJECT \_\_\_\_\_

ENGINEER \_\_\_\_\_

CONTRACTOR \_\_\_\_\_

CONDITIONS: \_\_\_\_\_ GPM \_\_\_\_\_ TDH \_\_\_\_\_ HP \_\_\_\_\_ EFF% \_\_\_\_\_ IMP. DIA \_\_\_\_\_

1200